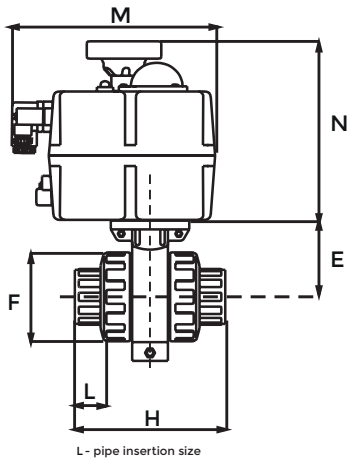


BALL VALVES INDUSTRIAL



CODE	DN	D	G	L	H	E	F	M	N	WEIGHT (kg)
29492	25	32	1"	22	124	70	74	169	123,5	2,4
29493	32	40	1 1/4"	26	142	84	74	169	123,5	1,95
29494	40	50	1 1/2"	31	167	104	88	181	169	3,1



TECHNICAL CHARACTERISTICS

- 1 [IND] SERIES BALL VALVE WITH REVERSIBLE ELECTRIC ACTUATOR MULTI-VOLTAGE
- 2 ELECTRONIC TORQUE CONTROL, WITH LIMITATION OF MAXIMUM TORQUE
- 3 ANTI-CONDENSATION HEATING RESISTOR
- 4 AUTOMATIC / MANUAL LEVER, WITH MANUAL OVERRIDE
- 5 OPEN AND CLOSED VOLT FREE CONTACTS
- 6 INDICATOR LED OPERATING / ERROR
- 7 ENCLOSURE IN ANTRICORROSIVE POLYAMIDE
- 8 ACTUATOR GURANTEED FOR 60.000 CYCLES WITH A DUTY RATING OF 75%
- 9 VOLTAGE AND CONSUMPTION: 24 VAC/VDC 390 MA - 9,36 W

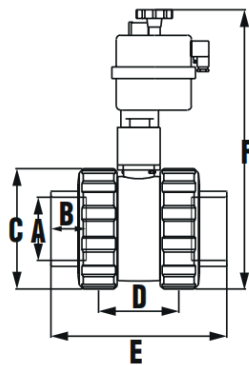


DOUBLE BUTTERFLY ACTUATED VALVE



ART. CODE	SIDES 2X	VOLT	RUN TIME	HART TO HART
200.549.075	75	24 VAC	150 SEC	330
200.549.090	90	24 VAC	150 SEC	330
200.549.110	110	24 VAC	150 SEC	330
200.549.125	125	24 VAC	150 SEC	330
200.549.160	160	24 VAC	150 SEC	360
200.549.200	200	24 VAC	150 SEC	450
200.549.250	250	24 VAC	150 SEC	450

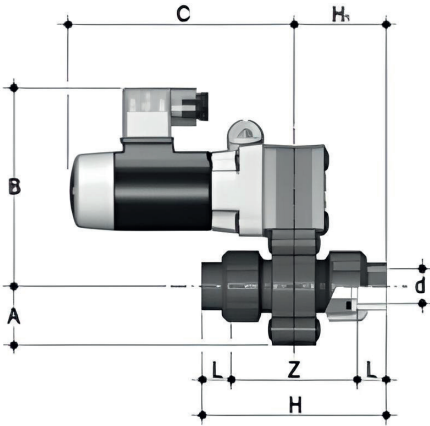
ACTUATED VALVE



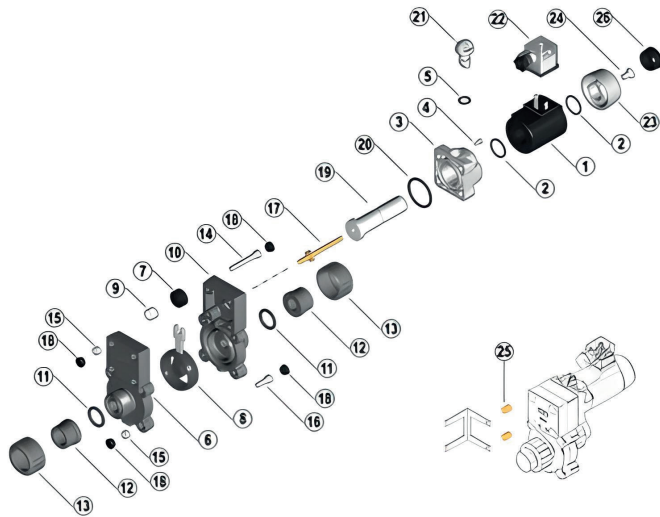
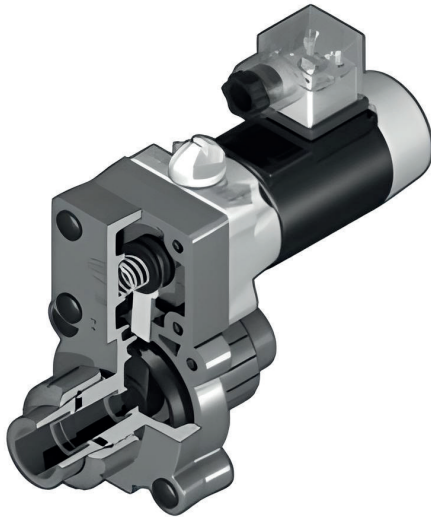
CODE	A	MOTOR DN	B	C	D	E	F
11299	20	H10	15	16	51	44	86
11300	25	H10	20	19	58	49	94
11301	32	H10	25	23	68	66	122
11302	40	S20	32	25	84	71	131
11303	50	S20	40	31	99	75	150
11304	63	S20	50	38	116	89	177
11305	75	S35	65	45	150	119	216
11306	90	S55	80	51	178	140	257
11307	110	S55	100	61	210	155	300
11308	125	S55	113	71	228	161	328



TWO WAYS SOLENOID VALVE



CODE	d	DN	A	B	C	H	H1	L	Z
S12IV	10	4-6-8	24	100	103	84	42	12	60
S12IV	12	4-6-8	24	100	103	84	42	12	60
S12IV	16	4-6-8	24	100	103	88	44	14	60
S22IV	16	8-10-15	34	115	130	99	50	14	71
S22IV	20	8-10-15	34	115	130	103	52	16	71



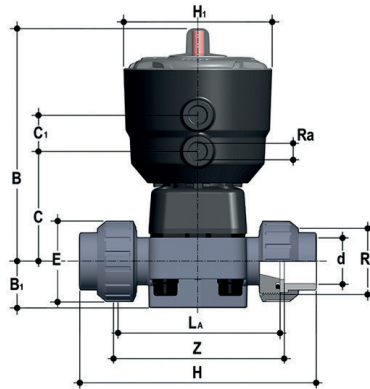
ITEM	PARTS	MATERIAL
1	COIL	PA-GR
2	O-RING	EPDM
3	HOUSING FOR MANUAL OVERRIDE	PP-GR
4	SCREW	STAINLESS STEEL
5	O-RING	EPDM
6	UPPER BODY	PVC-U
7	SPRING SLIDE	PP-GR
8	SHUTTER	EPDM OR FPM
9	RETURN SPRING	STAINLESS STEEL
10	LOWER BODY	PVC-U
11	O-RING	EPDM OR FPM
12	END CONNECTOR	PVC-U
13	UNION NUT	PVC-U

ITEM	PARTS	MATERIAL
14	SCREW	ZINC PLATED STEEL
15	NUTS	ZINC PLATED STEEL
16	SCREW	ZINC PLATED STEEL
17	CONTROL SPINDLE	BRASS
18	PROTECTION CAPS	PE
19	OPERATOR	STAINLESS STEEL
20	O-RING	EPDM
21	MANUAL OVERRIDE	PP-GR
22	CONNECTOR	-
23	COIL CAP	PP-GR
24	SCREW	STAINLESS STEEL
25	BRACKETING NUTS	BRASS
26	PROTECTION CAP	PE

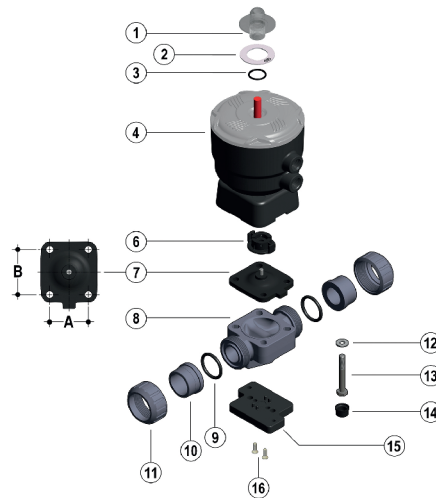
All rights reserved by iSinitzan. Reproduction and distribution of any part of this document is prohibited.



PNEUMATICALLY ACTUATED DIAPHRAGM VALVE



d	DN	PN	B	B1	C	C1	E	H	H1	La	R1	Ra	Z	g	EPDM Code
20	15	10	148	25	66	24	41	129	97	90	1"	1/4"	100	735	DKUIVNC020E
25	20	10	151	30	69	24	50	154	97	109	1" 1/4	1/4"	116	797	DKUIVNC025E
32	25	10	159	33	78	24	58	168	97	116	1" 1/2	1/4"	124	1025	DKUIVNC032E
40	32	10	163	30	82	24	72	192	97	134	2"	1/4"	140	1151	DKUIVNC040E
50	40	10	207	35	112	24	79	222	126	154	2" 1/4	1/4"	160	2922	DKUIVNC050E
63	50	10	245	46	142	24	98	266	157	184	2" 3/4	1/4"	190	6304	DKUIVNC063E



ITEM	PARTS	MATERIAL
1	TRANSPARENT CAP	PC-1
2	CUSTOMISATION PLATE	PVC-1
3	O-RING	EPDM-1
4	ACTUATOR	PP-GR-1
5	COMPRESSOR	PA-GR IXEF®-1
6	SEAL DIAPHRAGM	EPDM, FKM, PTFE-1
7	VALVE BODY	PVC-U, PVC-C, PP-H, PVDF-1
8	SOCKET SEAL O-RING	EPDM-FMK-2

ITEM	PARTS	MATERIAL
9	END CONECTOR	PVC-U, PVCC, PP-H, PVDF - 2
10	UNION NUT	PVC-U, PVC-C, PP-H, PVDF - 2
11	WASHER	Acciaio INOX - 4
12	BOLT	Acciaio INOX - 4
13	PROTECTION PLUG	PE-4
14	DISTANCE PLATE	PP-GR-1
15	SCREW	STAINLESS STEEL - 2

All rights reserved by iSinitzan. Reproduction and distribution of any part of this document is prohibited.

iSii-Nitzan GmbH
 Via Cremignone 4C, Sorengo,
 Switzerland, CH 6924
 +(41) 765851837
 info@isii-nitzan.swiss
 www.isii-nitzan.swiss

More Information:



Version: J2024-1