

VERTICAL BLENDER M-226 / M-440



M-226

Operating principle

The blender basically consists of a casing and a centrifugal pump impeller which are mounted vertically. The suction side has a double-wall pipe that keeps the inlet of solids separate from that of liquids, thus avoiding the formation of lumps before the material enters the casing.

The liquid enters the mixing chamber at a high speed, thereby creating a vacuum at the center of the impeller, which causes the suction of the solids. The introduction of solids can be regulated by means of a valve situated at the bottom of the hopper.

Blender Specifications				
Item	Description	Feature	Capacity	
1	Materials	Parts in contact with the product	AISI 316L	
		Gaskets	EPDM	
2	Mechanical seal	Rotary part	Carbon (C)	
		Stationary part	Stainless steel (St. St.)	
		Gaskets	EPDM	
3	Surface finish	Internal	Bright polish Ra ≤ 0,8µm	
		External	Matt	
4	Blender		M-226	M-440
		Maximum liquid flow	33000 l/h	65000 l/h
		Maximum solids suction*	3000 kg/h	9000 kg/h
		Motor	4 kW - 3000 rpm	11 kW - 3000 rpm
		Suction connections	CLAMP 1 1/2"	CLAMP 3"
		Discharge connections	CLAMP 2"	CLAMP 3"
		Hopper	43 L	60 L
		Weight	80 kg	240 kg

*The quantity of the suctioned product depends on its properties and the features of the installation.



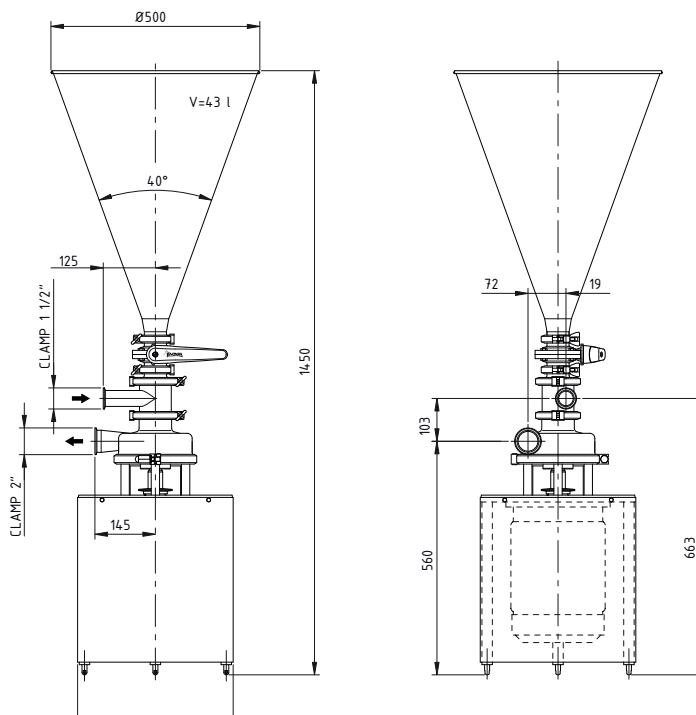
M-440

Options

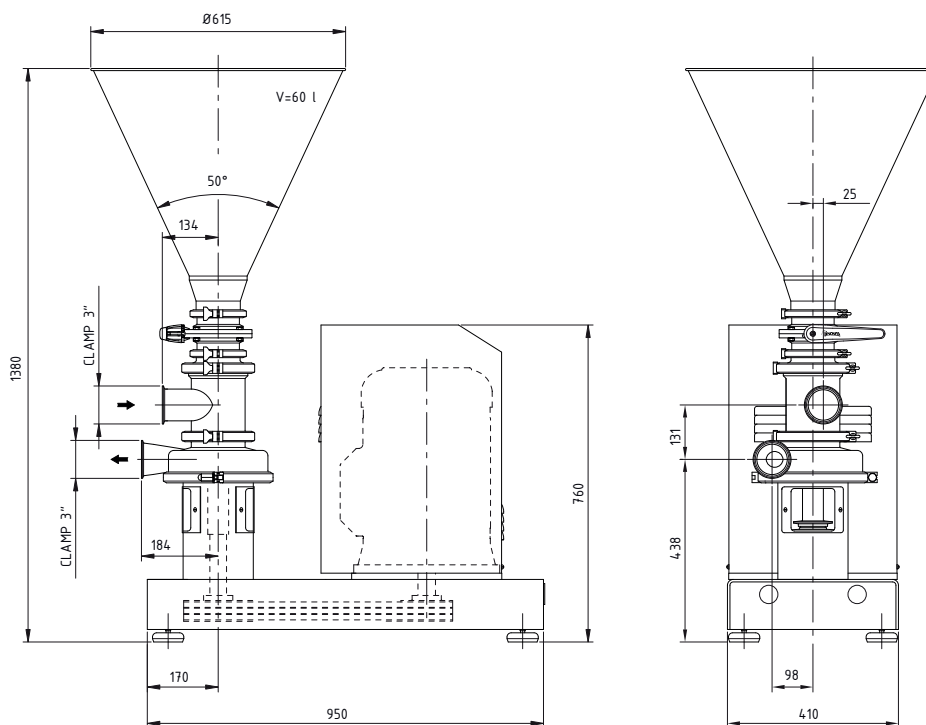
- Double flushed seal.
- Double pressurised seal.
- Connections: DIN, SMS.
- Vibrator for the hopper.
- Pneumatically actuated valve + hygienic solids lower level sensor.
- Hygienic solids upper level sensor.
- Control panel for vibrator, solids level sensors, frequency converter, automated valve.
- Grid for the hopper.
- 60° hopper.
- Drainage.
- ATEX version available.
- Internal surface finish: Ra ≤ 0.5 µm.



DIMENSIONS M-226



DIMENSIONS M-440



All rights reserved by iSinitzan. Reproduction and distribution of any part of this document is prohibited.

iSii-Nitzan GmbH
Via Cremignone 4C, Sorengo,
Switzerland, CH 6924
+(41) 765851837
info@isii-nitzan.swiss
www.isii-nitzan.swiss

More Information:



Versión: A2024-1