

### ELECTRICAL SPECIFICATION

ITEM	DESCRIPTION	CAPACITY
1	POWER SUPPLY*	220 VAC - 380 VAC - 440 VAC / 3P
2	POWER RANGE	3 kW to 15 kW

\*More options on demand

### FLOW CAPACITY

ITEM	DESCRIPTION	CAPACITY
1	DESIGNED FLOW RANGE	20 m3/h to 80 m3/h
2	MAXIMUM PRESSURE SYSTEM	4.5 bar

### DOSING CHANNELS

ITEM	DESCRIPTION	CAPACITY
1	NUMBER OF DOSING CHANNELS	4
2	VENTURI + FLOWMETER*	50 - 650 lts/hr.

\*Optional use of digital or magnetic flowmeter

### PREMIX TANK

ITEM	DESCRIPTION	CAPACITY
1	PREMIX TANK. MATERIAL: HDPE DIMENSIONS: 700mm x 880mm x 735mm	240 L

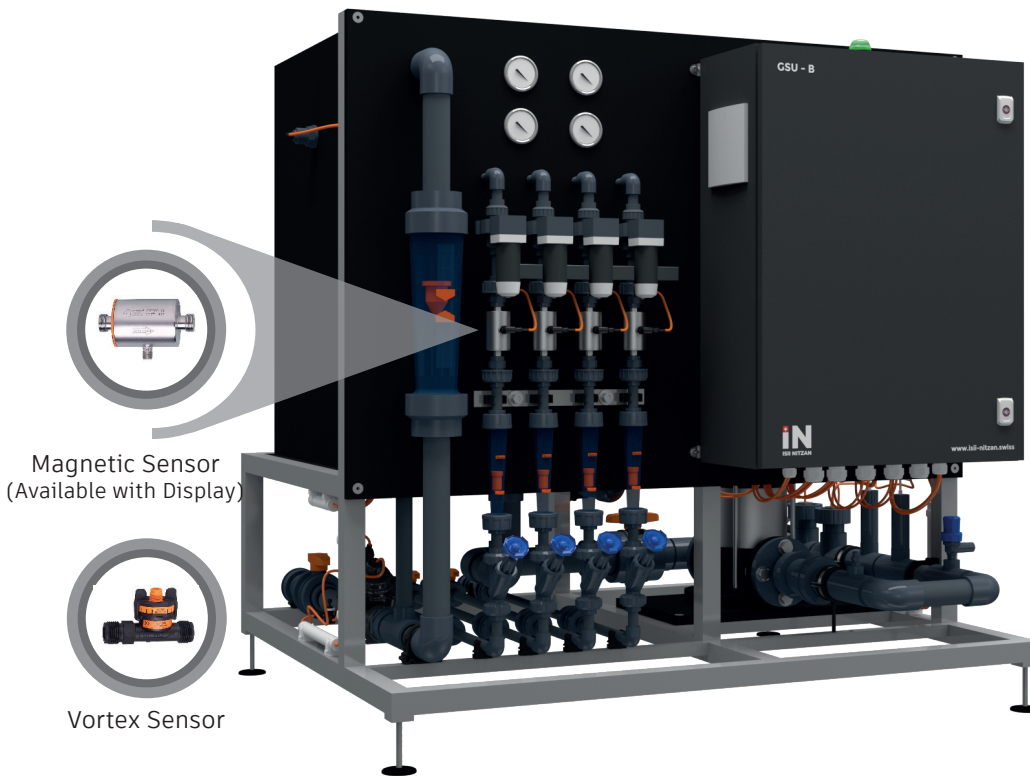
### EQUIPMENT DESCRIPTION

ITEM	FEATURES
1	Independently controlled, 4-way automatic injection system.
2	Control and monitoring of pH sensor and EC sensor. *
3	Dosing actuators 24VDC NC Valves.**
4	Pumps controlled by variable frequency drives.
5	Real-time recording of consumption through magnetic measurements.***
6	Monitor App on Google Play, Apple Store and Web App.

\*Optional use 2 pH sensor and 2 EC sensor.

\*\*Different alternatives.

\*\*\*Applies in case of digital flowmeter.



Magnetic Sensor  
(Available with Display)



Vortex Sensor

Cabinet is available in this colors:



White

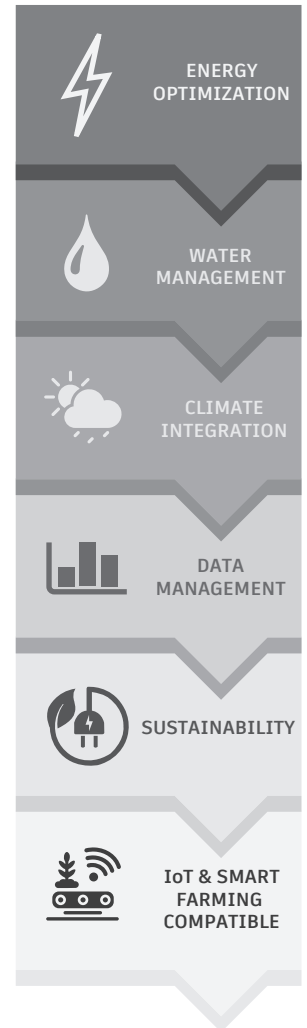


Black



Orange

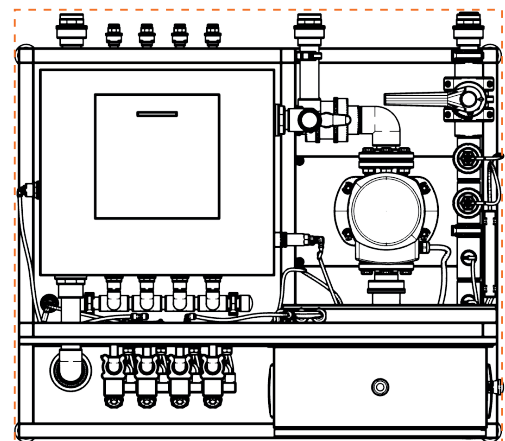
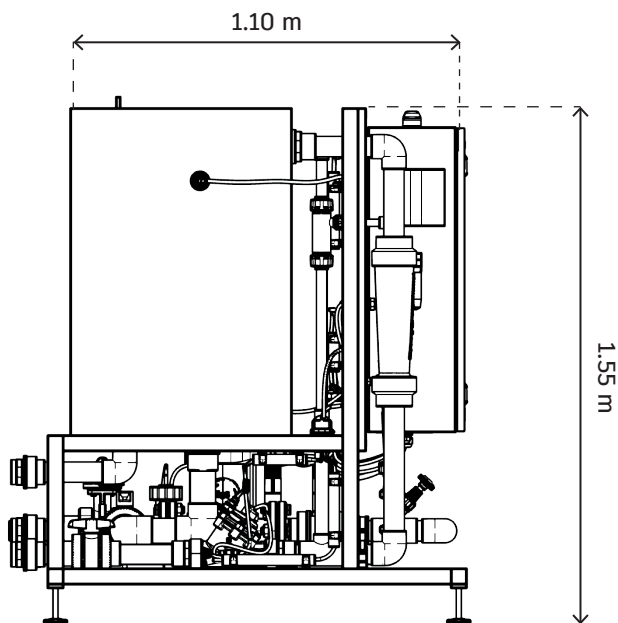
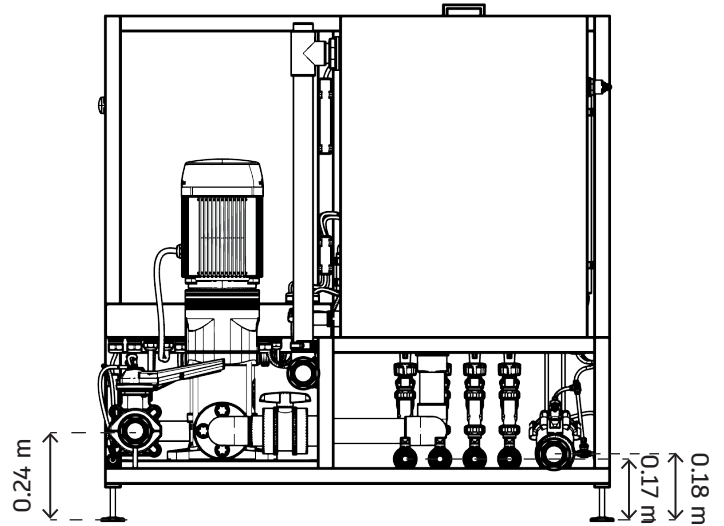
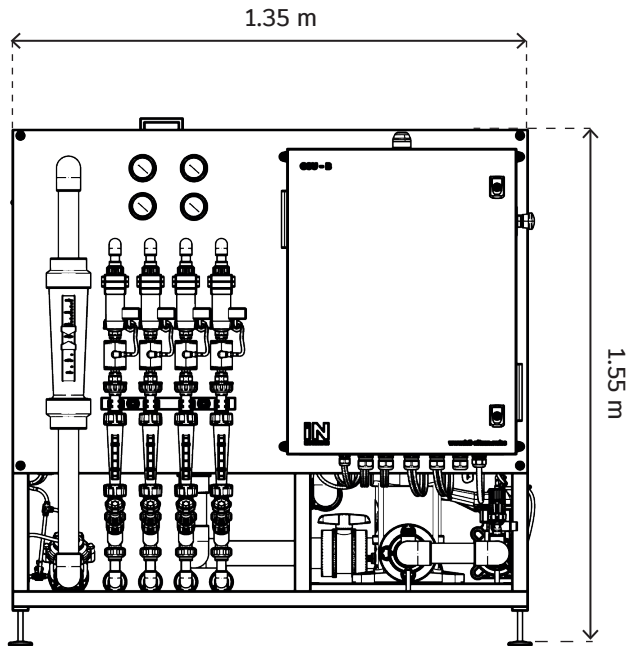
\*OEM/Custom preference



All rights reserved by iSiNitzan. Reproduction and distribution of any part of this document is prohibited.



**DIMENSIONS & FOOTPRINT**



Footprint: 1.49 m<sup>2</sup>

Note:  
- All 3D file drawing (.step, .dwg) are available.  
- The prices shown in the price list are valid from August 2023. They may be modified according to changes in materials and manufacturing accessories.

DIMENSIONS		
LENGTH	HEIGHT	WIDTH
1,35 m	1,55 m	1,10 m
FOOTPRINT		1,49 m <sup>2</sup>

All rights reserved by iSinitzan. Reproduction and distribution of any part of this document is prohibited.

iSii-Nitzan GmbH  
Via Cremignone 4C, Sorengo,  
Switzerland, CH 6924  
+(41) 765851837  
info@isii-nitzan.swiss  
www.isii-nitzan.swiss

More Information:



Versión: J2024-1