

ELECTRICAL SPECIFICATION

ITEM	DESCRIPTION	CAPACITY
1	POWER SUPPLY*	220 VAC - 380 VAC - 440 VAC / 3P
2	ENERGY	66 kW (440 VAC)

*More options on demand

FLOW SPECIFICATION

ITEM	DESCRIPTION	CAPACITY
1	PUMP 01 - DRIP	200 m3/h - 4 bar
2	PUMP 02 - CLEAN WATER 1	100 m3/h - 4 bar
3	PUMP 03 - CLEAN WATER 2	100 m3/h - 4 bar
4	PUMP 04 - BOOSTER	20 m3/h - 6 bar

DOSING CHANNELS

ITEM	DESCRIPTION	CAPACITY
1	NUMBER OF DOSING CHANNELS*	8
2	VENTURI + ROTAMETER + MAGNETIC FLOWMETER**	100 - 2000 lts/hr.

*Available under request up to 9 to 12 dosing channels.

**Optional use of magnetic flowmeter with display or vortex flowmeter

AUTOMATIC FILTER

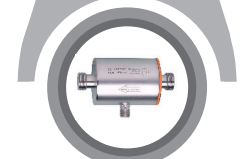
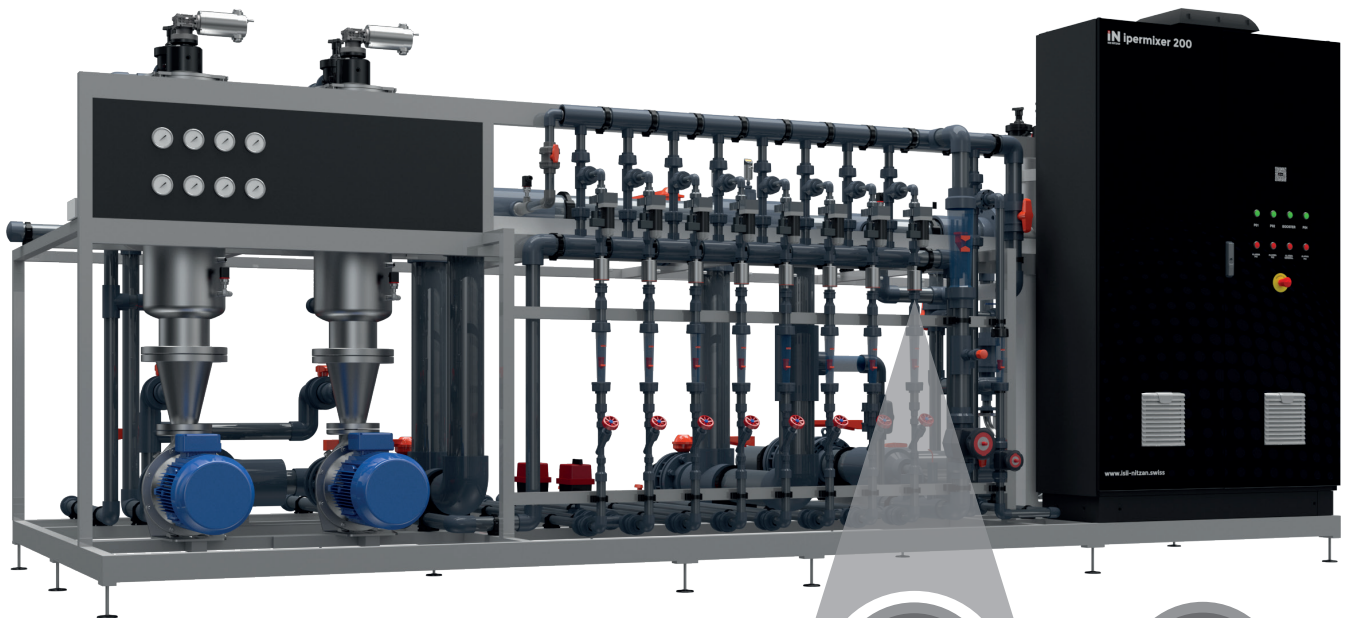
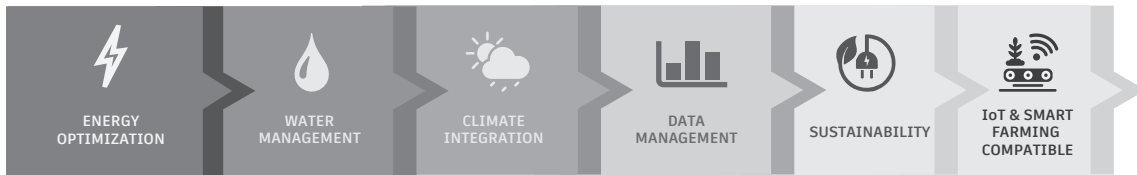
ITEM	DESCRIPTION	CAPACITY
1	MAXIMUM FLOW (P01 to P03)	200 m3/h
2	FILTRATION RANGE	100 µm
3	PIPING IN/OUT	Ø DN 150

EQUIPMENT DESCRIPTION

ITEM	FEATURES
1	Independently controlled, 8-way automatic injection system.
2	Injection and regulation of fertilizers drive of a booster pump.
3	Control and monitoring of pH and EC.*
4	100% operational redundancy.
5	Injection system actuators.**
6	Automatic filtering system.
7	Pumps controlled by variable frequency drives.
8	Real-time recording of consumption through magnetic measurements.
9	Real-time computer control and monitoring.

*Optional 2 pH/EC sensor and 1 pH/EC sensor to raw water.

**Optional Pneumatic, 24 Vac, 24 Vdc.



Magnetic Sensor
(Available with Display)

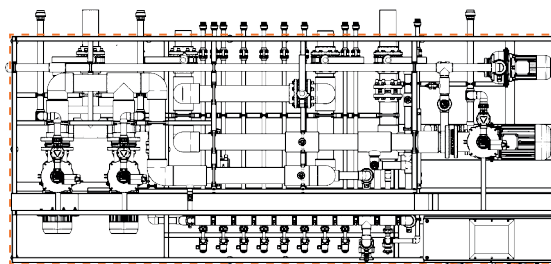
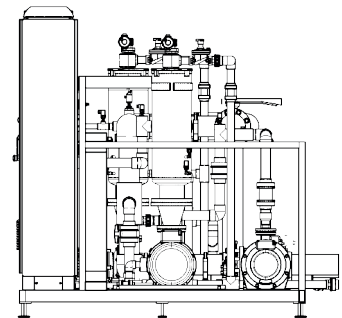
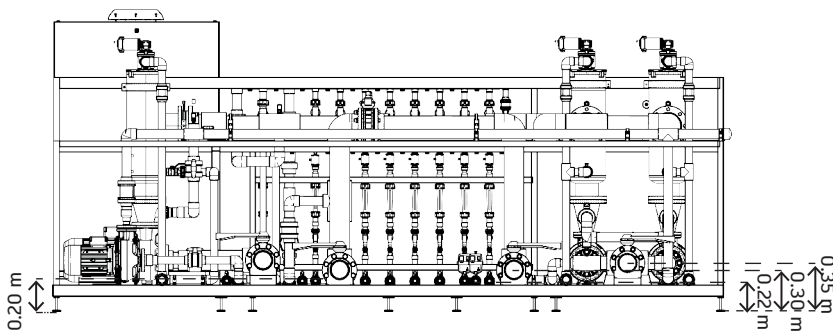
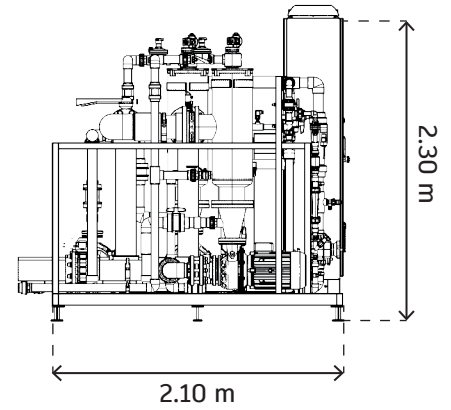
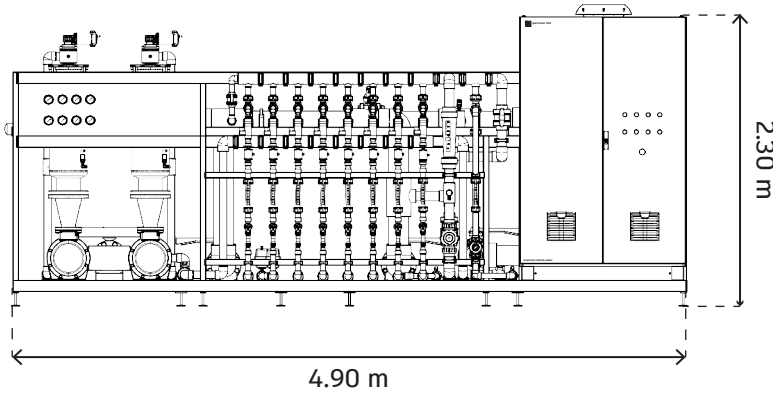


Vortex Sensor

All rights reserved by iSinitzan. Reproduction and distribution of any part of this document is prohibited.



DIMENSIONS & FOOTPRINT



Footprint: 10.29 m²

Note:
 - All 3D file drawing (.step, .dwg) are available.
 - The prices shown in the price list are valid from August 2023. They may be modified according to changes in materials and manufacturing accessories.

DIMENSIONS		
LENGTH	HEIGHT	WIDTH
4,90 m	2,30 m	2,10 m
FOOT PRINT		10,29 m ²

All rights reserved by iSinitzan. Reproduction and distribution of any part of this document is prohibited.

iSii-Nitzan GmbH
 Via Cremignone 4C, Sorengo,
 Switzerland, CH 6924
 +(41) 765851837
 info@isii-nitzan.swiss
 www.isii-nitzan.swiss

More Information:



Versión: J2024-1