

### ELECTRICAL SPECIFICATION

ITEM	DESCRIPTION	CAPACITY
1	POWER SUPPLY*	220 VAC - 380 VAC - 440 VAC / 3P
2	POWER RANGE	32 kW (220VAC - 440VAC)

\*More options on demand

### PUMP SPECIFICATION

ITEM	DESCRIPTION	CAPACITY
1	PUMP 01 - FILLING	100 m3/h - 4.5 bar
2	PUMP 02 - DRIP	100 m3/h - 4.5 bar

### DOSING CHANNELS

ITEM	DESCRIPTION	CAPACITY
1	NUMBER OF DOSING CHANNELS	5
2	VENTURI + FLOWMETER*	50 - 650 lts/hr.

\*Optional use of digital or magnetic flowmeter

### PREMIX TANK

ITEM	DESCRIPTION	CAPACITY
1	PREMIX TANK. MATERIAL: HDPE DIMENSIONS: 1355mm x 1150mm x 550mm	750 L

### AUTOMATIC FILTER

ITEM	DESCRIPTION	CAPACITY
1	MAXIMUM FLOW	100 m3/h
2	FILTRARION RANGE	100 / 200 µm
3	PIPING IN/OUT	Ø DN 100

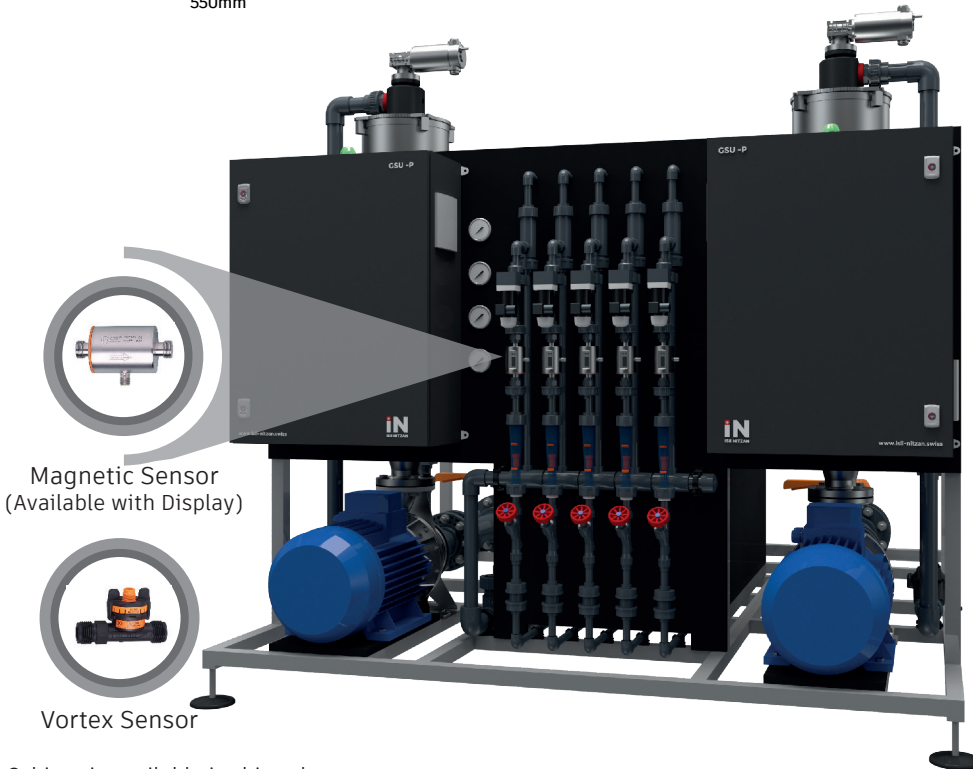
### EQUIPMENT DESCRIPTION

ITEM	FEATURES
1	Independently controlled, 5-way automatic injection system.
2	Control and monitoring of pH sensor and EC sensor. *
3	Dosing actuators 24VDC NC Valves.**
4	Pumps controlled by variable frequency drives.
5	Real-time recording of consumption through magnetic measurements.***
6	Monitor App on Google Play, Apple Store and Web App.

\*Optional use 2 pH sensor and 2 EC sensor.

\*\*Different alternatives.

\*\*\*Applies in case of digital flowmeter.



Magnetic Sensor  
(Available with Display)

Vortex Sensor

Cabinet is available in this colors:

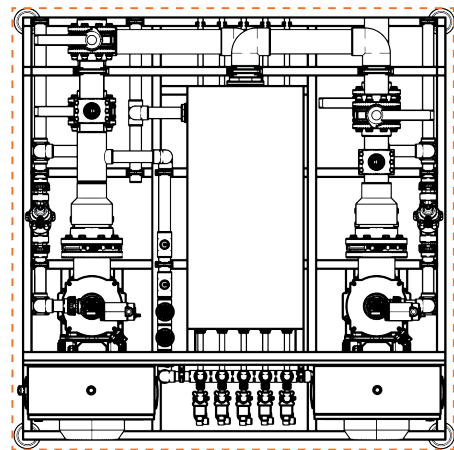
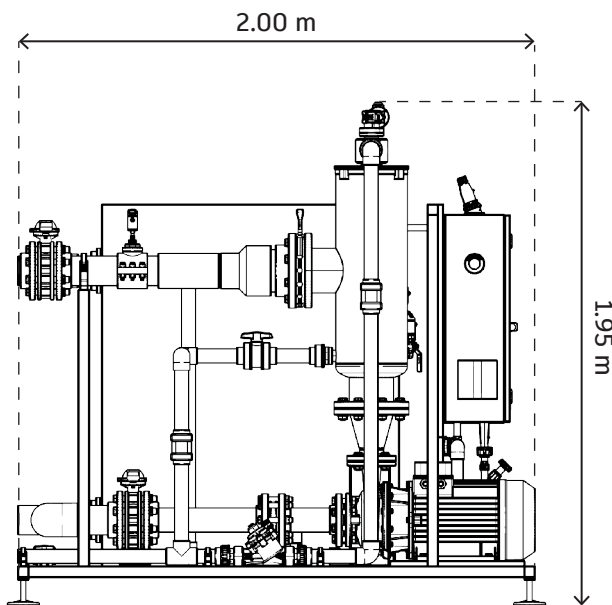
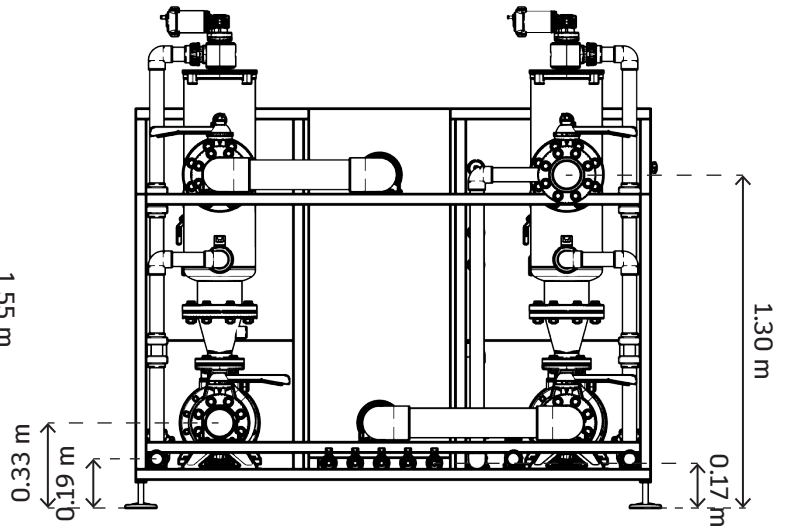
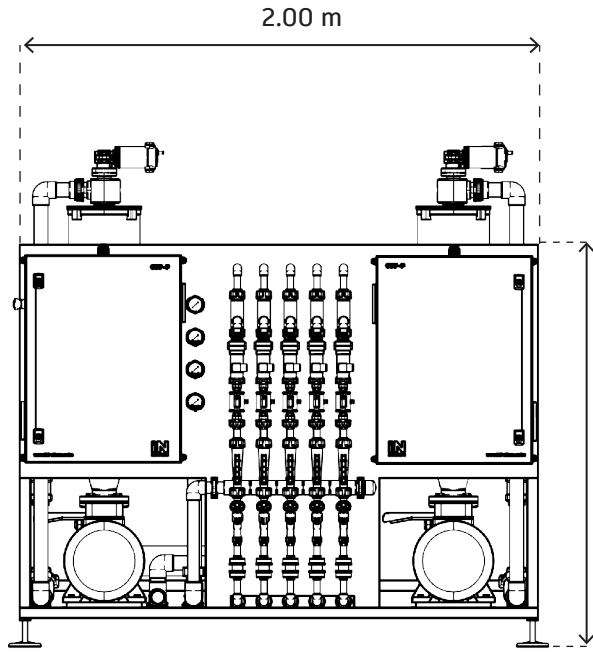


\*OEM/Custom preference

- ENERGY OPTIMIZATION
- WATER MANAGEMENT
- CLIMATE INTEGRATION
- DATA MANAGEMENT
- SUSTAINABILITY
- IoT & SMART FARMING COMPATIBLE



**DIMENSIONS & FOOTPRINT**



Footprint: 4.00 m<sup>2</sup>

**Note:**  
- All 3D file drawing (.step, .dwg) are available.  
- The prices shown in the price list are valid from August 2023. They may be modified according to changes in materials and manufacturing accessories.

DIMENSIONS		
LENGTH	HEIGHT	WIDTH
2,00 m	1,95 m	2,00 m
FOOT PRINT		4,00 m <sup>2</sup>

All rights reserved by iSinitzan. Reproduction and distribution of any part of this document is prohibited.

**iSii-Nitzan GmbH**  
Via Cremignone 4C, Sorengo,  
Switzerland, CH 6924  
+(41) 765851837  
info@isii-nitzan.swiss  
www.isii-nitzan.swiss

More Information:



Versión: J2024-1