

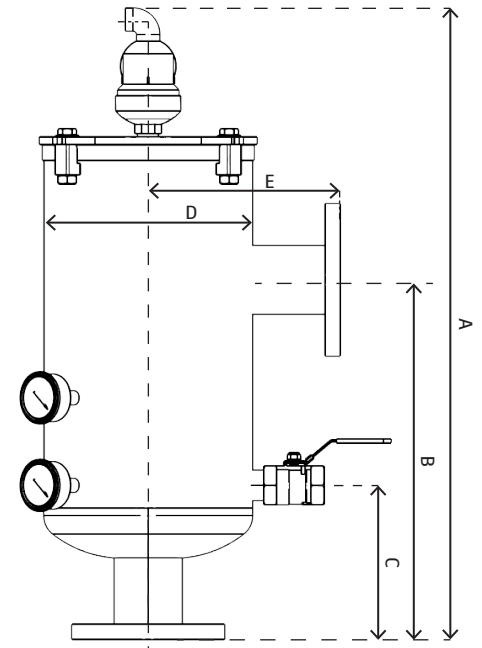
## HNET



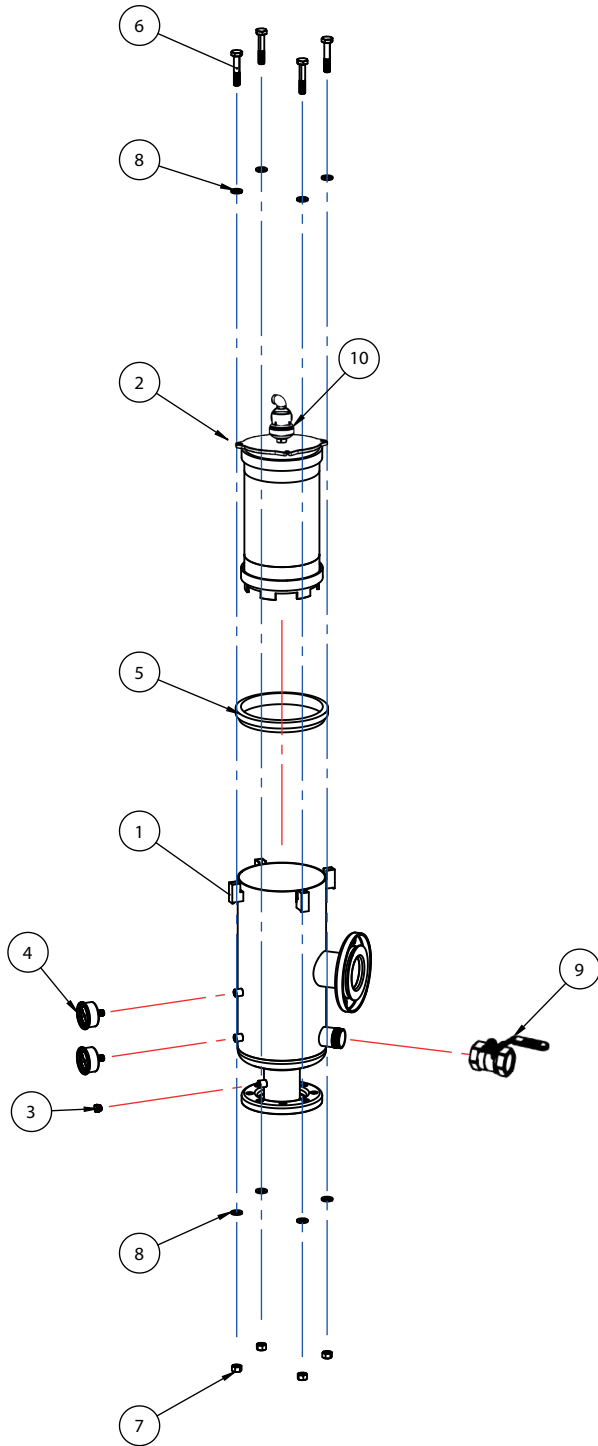
### ITEM TECHNICAL CHARACTERISTICS

- 1 FILTER AREA [cm<sup>3</sup>] 1800, 2700, 3500
- 2 BODY AND COVER INOX AISI304, 316, DUPLEX
- 3 STEEL SUPPORT BASKETO INOX AISI 316
- 4 POLYSTER/ STELL FILTERING NET INOX AISI 316
- 5 SEALS EPDM
- 6 DRAIN VALVE BALL VALVE
- 7 AIR RELIEF VALVE
- 8 PRESSURE GAUGES AISI 304 GLYCERINE BATH
- 9 TEMPERATURE [°C] MAX 60 MIN 5
- 10 MAXIMUM FLOW RATE [m<sup>3</sup>/h] 40-220
- 11 FILTRATION [µm] 20-800

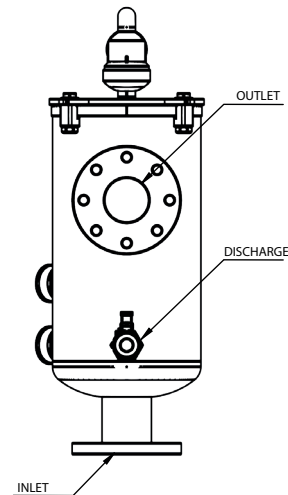
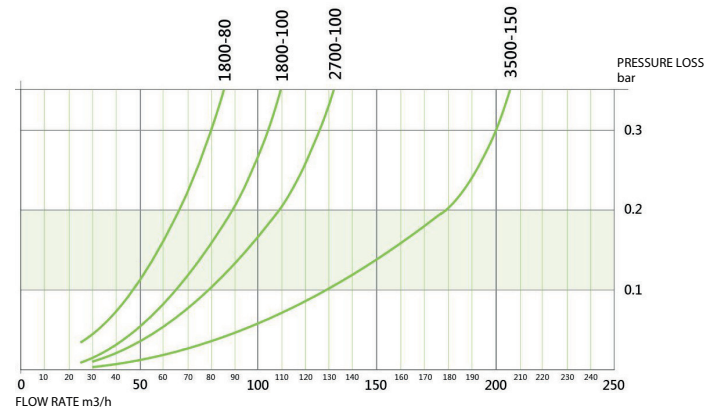
ART. CODE	A	B	C	D	E	kg	IN/OUT	DRAIN	FIL. SURFACE	MAX FLOW
HNET-1800-2	915	510	205	273	256	30	2" VIC	1" 1/2 BSP F	1800	40
HNET-1800-3	915	510	205	273	256	30	3" VIC	1" 1/2 BSP F	1800	90
HNET-1800-4	915	510	205	273	256	30	4" VIC	1" 1/2 BSP F	1800	110
HNET-2700-4	1055	510	205	273	256	36	4" VIC	1" 1/2 BSP F	2700	130
HNET-2700-5	1055	510	205	273	256	36	5" VIC	1" 1/2 BSP F	2700	160
HNET-2700-6	1055	510	205	273	256	36	6" VIC	1" 1/2 BSP F	2700	200
HNET-3500-4	1190	510	205	273	256	42	4" VIC	1" 1/2 BSP F	3500	150
HNET-3500-5	1190	510	205	273	256	42	5" VIC	1" 1/2 BSP F	3500	180
HNET-3500-6	1190	510	205	273	256	42	6" VIC	1" 1/2 BSP F	3500	220



## HNET



PRESSURE LOSS VS FLOW RATE



ITEM	DENOMINATION
1	HOUSING SCREEN FILTER AISI 304
2	FILTER SET
3	STANDARD METAL FITTING AISI 304
4	HORIZONTAL RADIAL MANOMETER
5	HOUSING SEALING GASKET
6	FASTENERS HEX BOLT
7	FASTENERS HEX NUT
8	FASTENERS FLAT WASHER
9	METALIC MANUAL VALVE
10	AIR RELIEF VALVE



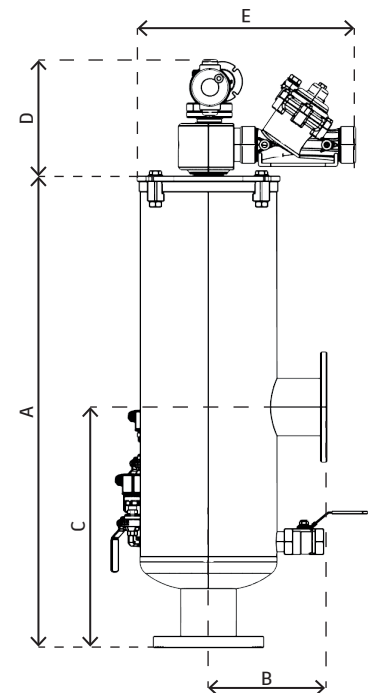
## HPAD



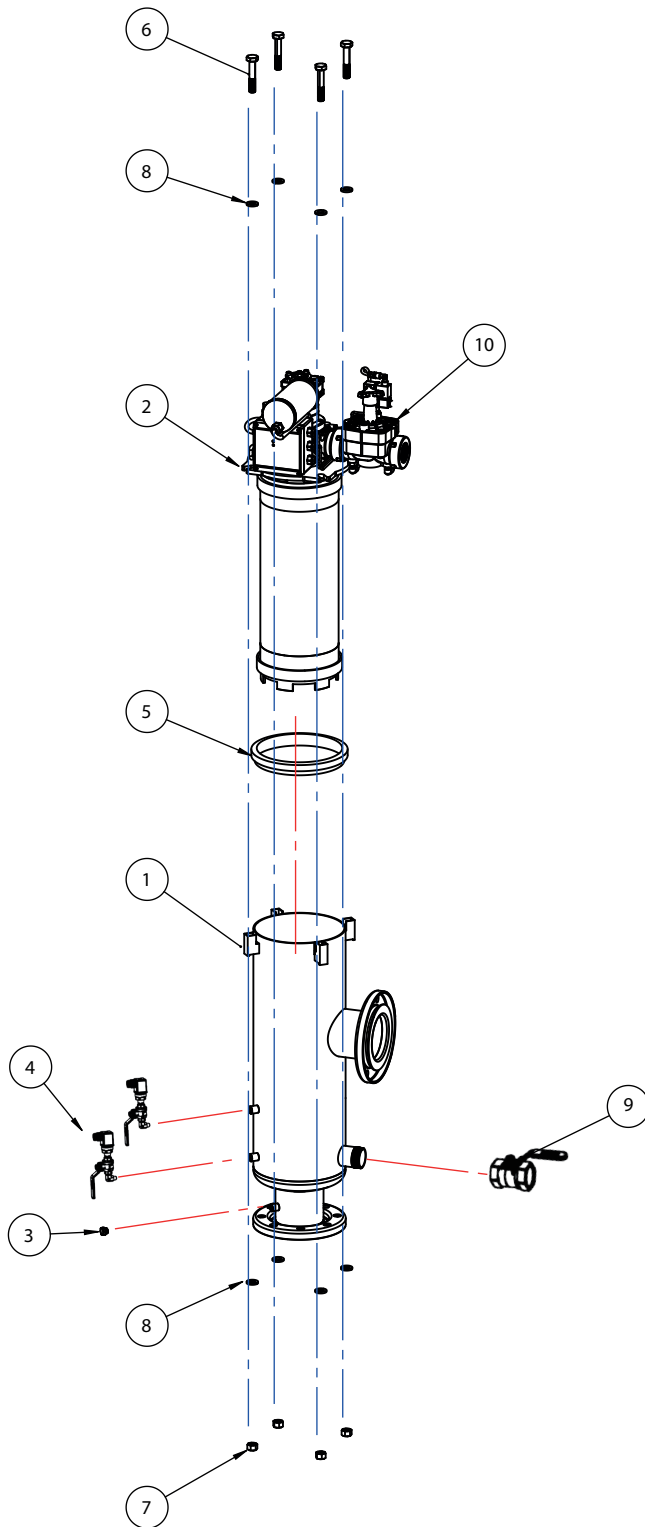
### ITEM TECHNICAL CHARACTERISTICS

- 1 FILTER AREA [cm<sup>3</sup>] 1800, 2700, 3500
- 2 BODY AND COVER INOX AISI304, 316, DUPLEX
- 3 STEEL SUPPORT BASKETO INOX AISI 316
- 4 POLYSTER/ STELL FILTERING NET INOX AISI 316
- 5 SEALS EPDM
- 6 DRAIN VALVE BALL VALVE
- 7 CLEAN AUTOMATIC BALL VALVE
- 8 PRESSURE GAUGES AISI 304 GLYCERINE BATH
- 9 TEMPERATURE [°C] MAX 60 MIN 5
- 10 MAXIMUM FLOW RATE [m<sup>3</sup>/h] 70-200
- 11 FILTRATION [µm] 20-800

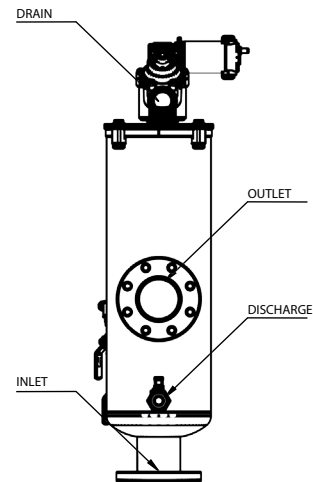
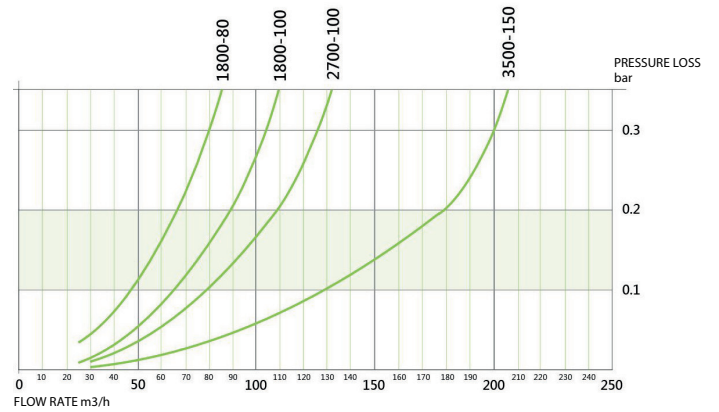
ART. CODE	A	B	C	D	E	kg	IN/OUT	DRAIN	FIL. SURFACE	MAX FLOW
HPAD-1800-3	676	269	395	223	413	46	DN80	1" BSP N	1800	70
HPAD-1800-4	676	273	397	223	413	48	DN100	1" BSP N	1800	110
HPAD-2700-4	804	273	527	223	413	52	DN100	1" BSP N	2700	110
HPAD-2700-5	804	273	524	223	413	53	DN125	1" BSP N	2700	150
HPAD-3500-4	948	273	611	223	413	55	DN100	1" BSP N	3500	110
HPAD-3500-5	945	273	608	223	413	57	DN125	1" BSP N	3500	150
HPAD-3500-6	942	274	605	223	413	59	DN150	1" BSP N	3500	200



## HPAD



PRESSURE LOSS VS FLOW RATE



ITEM	DENOMINATION
1	HOUSING SCREEN FILTER AISI 304
2	FILTER SET
3	STANDARD METAL FITTING AISI 304
4	PRESSURE SENSOR TRANSMITTER
5	HOUSING SEALING GASKET
6	FASTENERS HEX BOLT
7	FASTENERS HEX NUT
8	FASTENERS FLAT WASHER
9	METALIC MANUAL VALVE
10	ACTUATED BALL VALVE



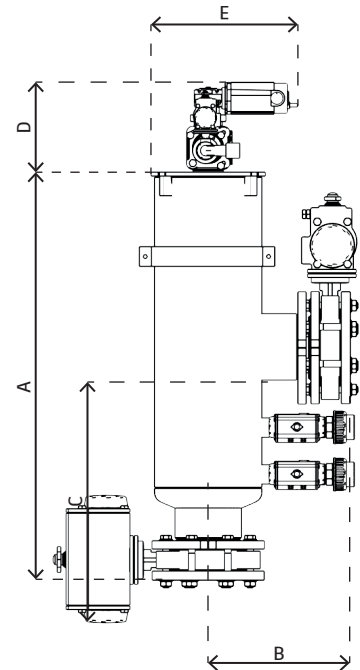
## HJET



### ITEM TECHNICAL CHARACTERISTICS

- 1 FILTER AREA [cm<sup>3</sup>] 1800, 2700, 3500
- 2 BODY AND COVER INOX AISI304, 316, DUPLEX
- 3 STEEL SUPPORT BASKETO INOX AISI 316
- 4 POLYSTER/ STELL FILTERING NET INOX AISI 316
- 5 SEALS EPDM
- 6 DRAIN AUTOMATIC BALL VALVE
- 7 CLEAN AUTOMATIC BALL VALVE
- 8 PRESSURE GAUGES AISI 304 GLYCERINE BATH
- 9 TEMPERATURE [°C] MAX 60 MIN 5
- 10 MAXIMUM FLOW RATE [m<sup>3</sup>/h] 110-250
- 11 COMPRESSOR NOT INCLUDE

ART. CODE	A	B	C	D	E	kg	IN/OUT	DRAIN	FIL. SURFACE	MAX FLOW
HJET-1800-4	950	510	205	273	256	39	4" VIC, FLG	1" BSP N	1800	110
HJET-2700-4	1095	510	205	273	256	45	4" VIC, FLG	1" BSP N	2700	130
HJET-2700-6	1095	510	205	273	256	45	6" VIC, FLG	1" BSP N	2700	200
HJET-3500-4	1225	510	205	273	256	51	4" VIC, FLG	1" BSP N	3500	150
HJET-3500-6	1225	510	205	273	256	51	6" VIC, FLG	1" BSP N	3500	220
HJET-3500-8	1225	510	205	273	256	51	8" VIC, FLG	1" BSP N	3500	250



All rights reserved by iSinitzan. Reproduction and distribution of any part of this document is prohibited.

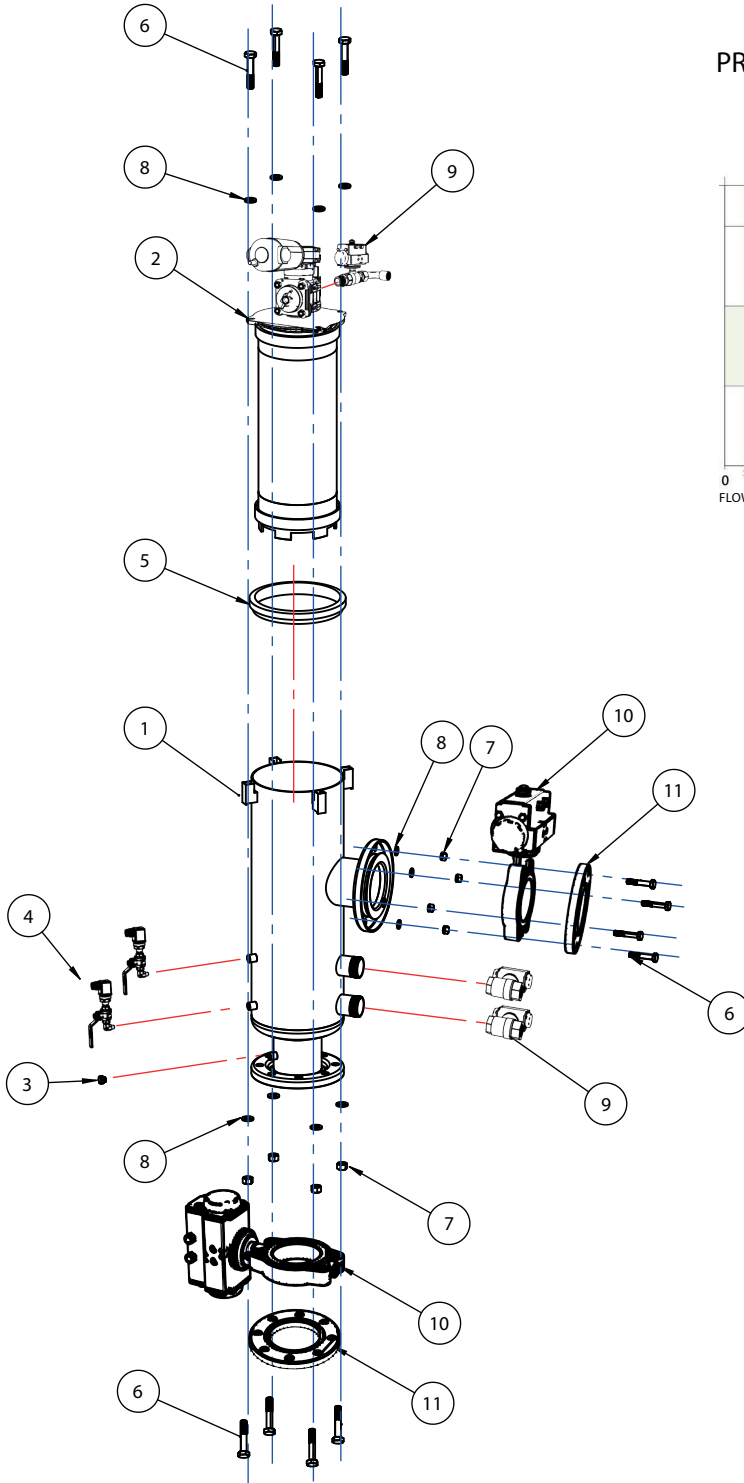
iSii-Nitzan GmbH  
 Via Cremignone 4C, Sorengo,  
 Switzerland, CH 6924  
 +(41) 765851837  
 info@isii-nitzan.swiss  
 www.isii-nitzan.swiss

More Information:

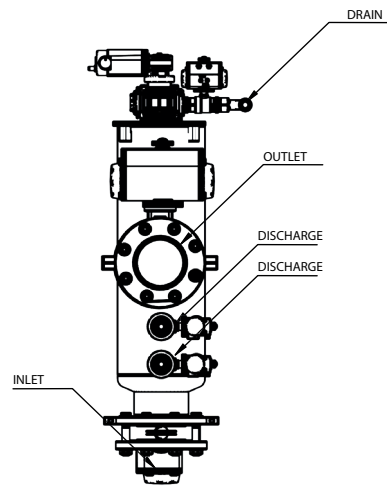
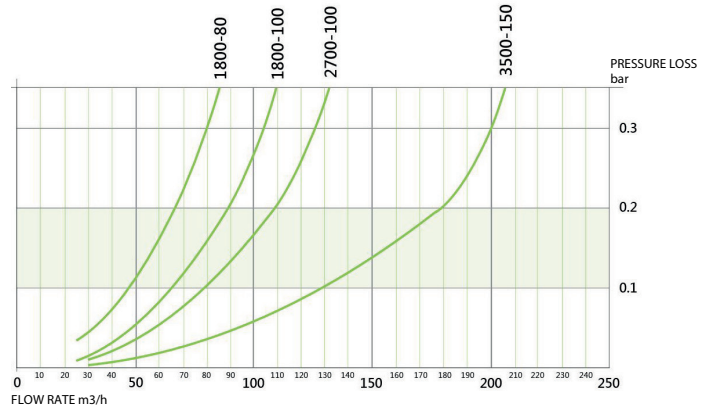


Versión: J2024-1

## HJET



PRESSURE LOSS VS FLOW RATE



ITEM	DENOMINATION
1	HOUSING SCREEN FILTER AISI 304
2	FILTER SET
3	STANDARD METAL FITTING AISI 304
4	PRESSURE SENSOR TRANSMITTER
5	HOUSING SEALING GASKET
6	FASTENERS HEX BOLT
7	FASTENERS HEX NUT
8	FASTENERS FLAT WASHER
9	ACTUATED BALL VALVE
10	ACTUATED BUTTERFLY VALVE
11	FLANGE ADAPTOR

All rights reserved by iSinitzan. Reproduction and distribution of any part of this document is prohibited.

**iSii-Nitzan GmbH**  
 Via Cremignone 4C, Sorengo,  
 Switzerland, CH 6924  
 +(41) 765851837  
 info@isii-nitzan.swiss  
 www.isii-nitzan.swiss

More Information:



Versión: J2024-1