

ELECTRICAL SPECIFICATION

| ITEM | DESCRIPTION | CAPACITY |
|------|---------------|----------------------------------|
| 1 | POWER SUPPLY* | 220 VAC - 380 VAC - 440 VAC / 3P |
| 2 | POWER RANGE | 16 kW (220VAC - 440VAC) |

*More options on demand

PUMP SPECIFICATION

| ITEM | DESCRIPTION | CAPACITY |
|------|-------------------|--------------------|
| 1 | PUMP 01 - SERVICE | 100 m3/h - 4.5 bar |

AUTOMATIC FILTER

| ITEM | DESCRIPTION | CAPACITY |
|------|--------------------|--------------|
| 1 | MAXIMUM FLOW (P01) | 100 m3/h |
| 2 | FILTRARION RANGE | 100 / 200 µm |
| 3 | PIPING IN/OUT | Ø DN 100 |

EQUIPMENT DESCRIPTION

| ITEM | FEATURES |
|------|---|
| 1 | Control and monitoring of pH sensor and EC sensor.* |
| 2 | Pumps use soft started |
| 3 | App on Google Play, Apple Store and Web App. |

*Optional use 2 pH sensor and 2 EC sensor.



- ENERGY OPTIMIZATION
- WATER MANAGEMENT
- CLIMATE INTEGRATION
- DATA MANAGEMENT
- SUSTAINABILITY
- IoT & SMART FARMING COMPATIBLE

Cabinet is available in this colors:

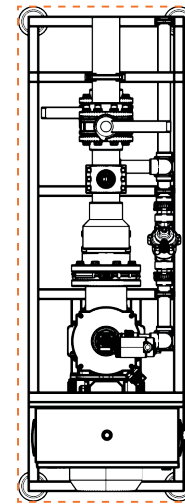
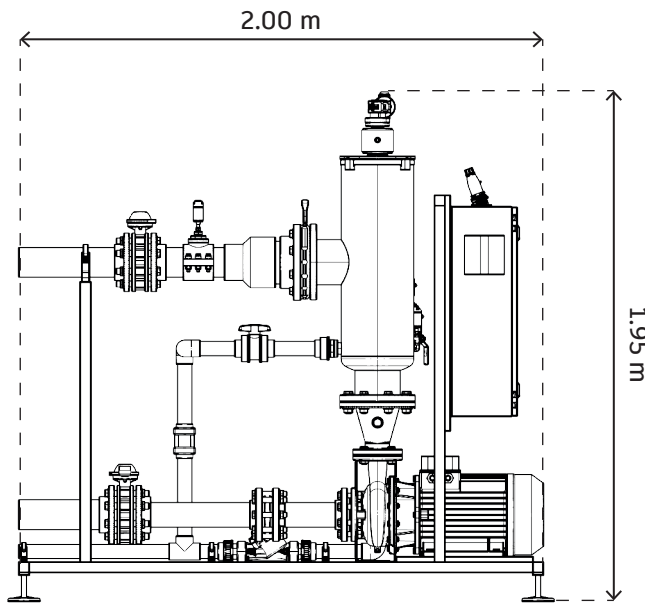
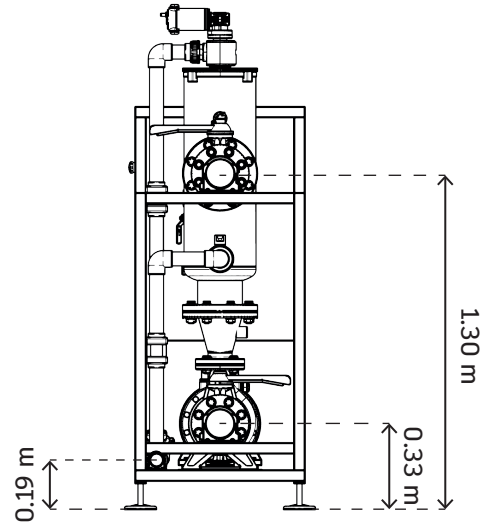
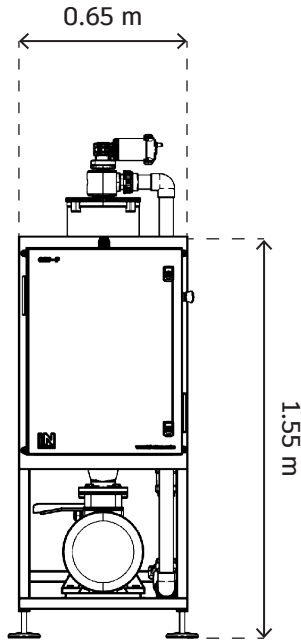


*OEM/Custom preference

All rights reserved by iSinitzan. Reproduction and distribution of any part of this document is prohibited.



DIMENSIONS & FOOTPRINT



Footprint: 1.30 m²

| DIMENSIONS | | |
|------------|--------|---------------------|
| LENGTH | HEIGHT | WIDTH |
| 0,65 m | 1,95 m | 2,00 m |
| FOOT PRINT | | 1,30 m ² |

Note:
 - All 3D file drawing (.step, .dwg) are available.
 - The prices shown in the price list are valid from August 2023. They may be modified according to changes in materials and manufacturing accessories.

All rights reserved by iSinitzan. Reproduction and distribution of any part of this document is prohibited.

iSii-Nitzan GmbH
 Via Cremignone 4C, Sorengo,
 Switzerland, CH 6924
 +(41) 765851837
 info@isii-nitzan.swiss
 www.isii-nitzan.swiss

More Information:



Versión: J2024-1