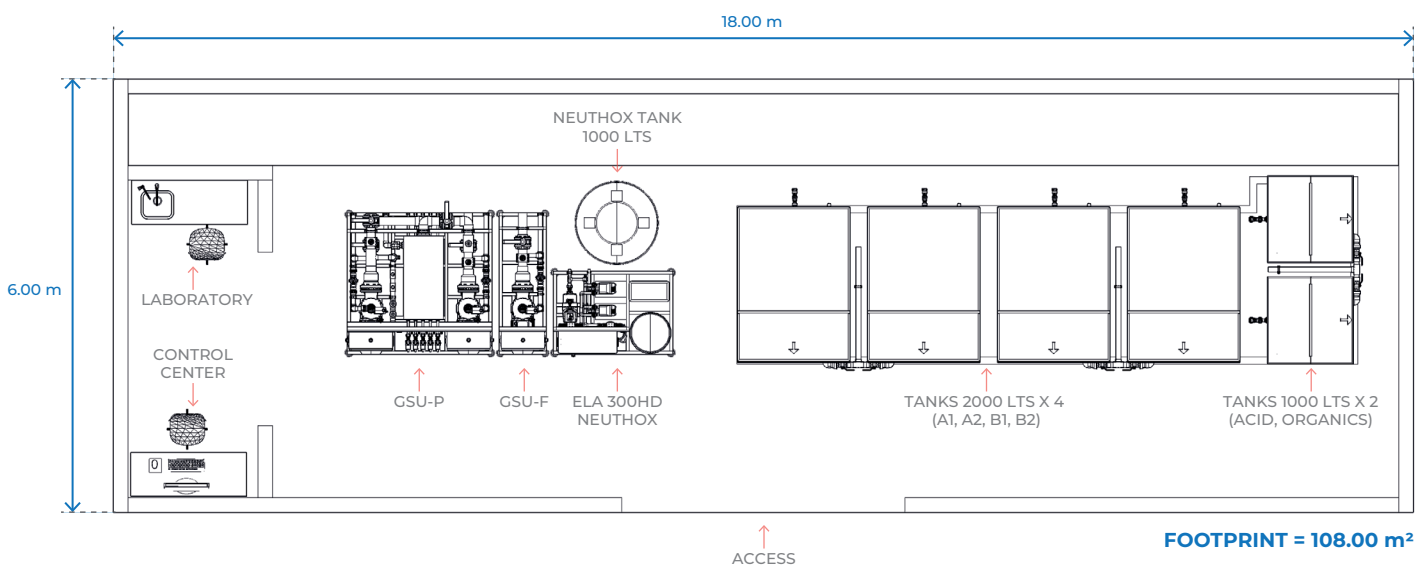
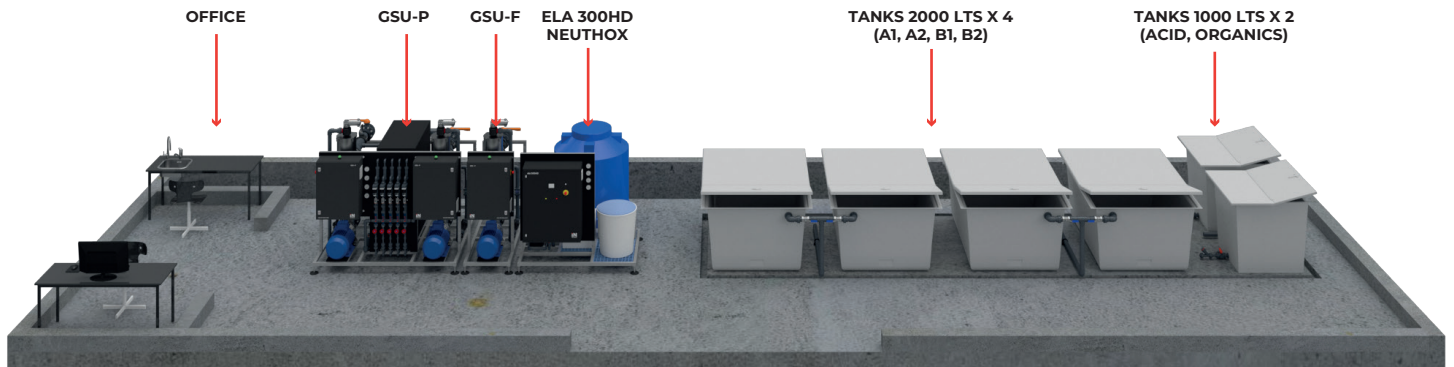
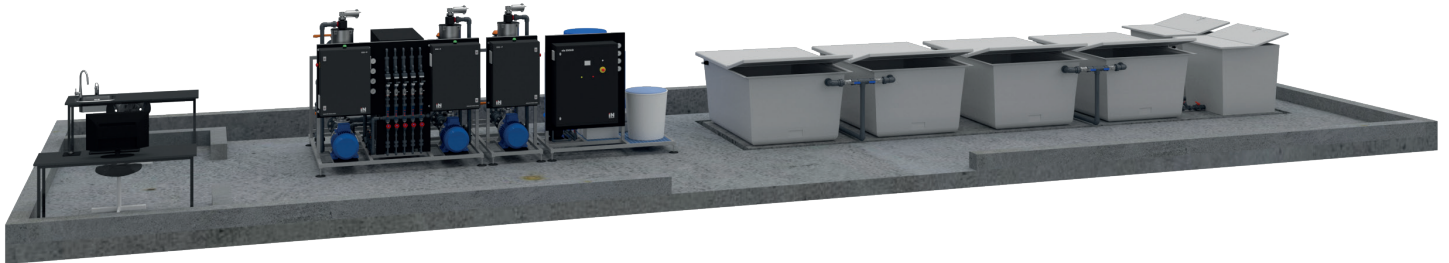


COMPLETE HOUSE PUMP GSU-P / GSU-F / ELA 300HD-NEUTHOX



All rights reserved by iSiiNitzan. Reproduction and distribution of any part of this document is prohibited.

iSii-Nitzan GmbH
 Via Cremignone 4C, Sorengo,
 Switzerland, CH 6924
 +(41) 765851837
 info@isii-nitzan.swiss
 www.isii-nitzan.swiss

More Information:



ELECTRICAL SPECIFICATION

ITEM	DESCRIPTION	CAPACITY
1	POWER SUPPLY*	220 VAC - 380 VAC - 440 VAC / 3P
2	POWER RANGE	32 kW (220VAC - 440VAC)

*More options on demand

PUMP SPECIFICATION

ITEM	DESCRIPTION	CAPACITY
1	PUMP 01 - FILLING	60 m3/h - 4.5 bar
2	PUMP 02 - DRIP	60 m3/h - 5 bar

DOSING CHANNELS

ITEM	DESCRIPTION	CAPACITY
1	NUMBER OF DOSING CHANNELS	5
2	VENTURI + FLOWMETER*	50 - 650 lts/hr.

*Optional use of digital or magnetic flowmeter

PREMIX TANK

ITEM	DESCRIPTION	CAPACITY
1	PREMIX TANK. MATERIAL: HDPE DIMENSIONS: 1355mm x 1150mm x 550mm	750 L

AUTOMATIC FILTER

ITEM	DESCRIPTION	CAPACITY
1	MAXIMUM FLOW	100 m3/h
2	FILTRARION RANGE	100 / 200 µm
3	PIPING IN/OUT	Ø DN 100

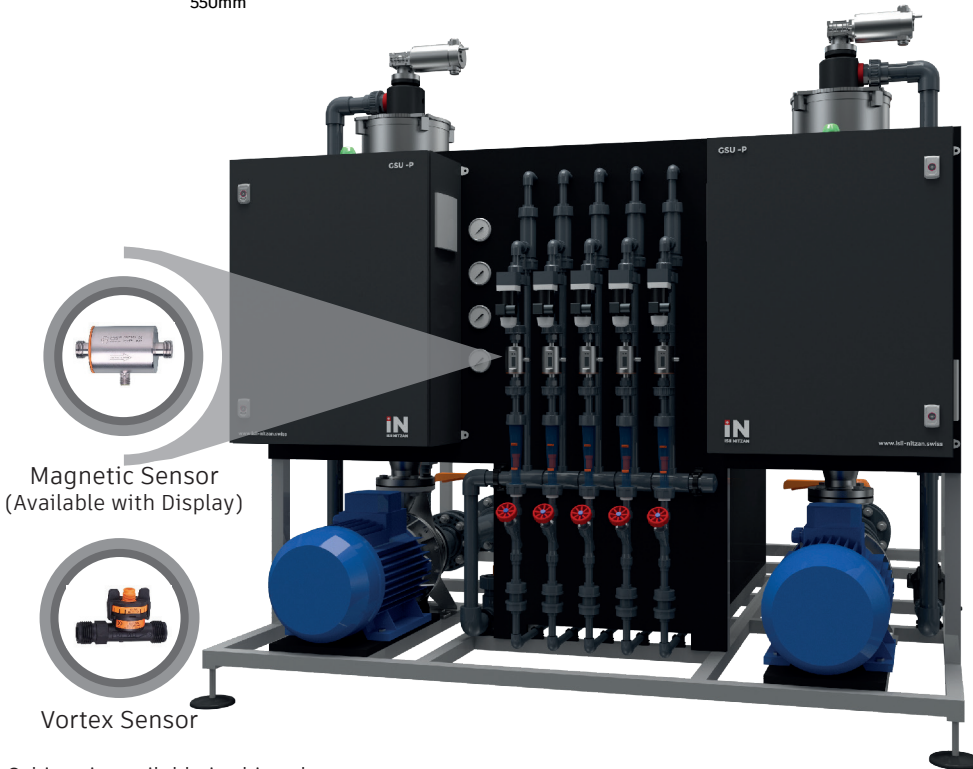
EQUIPMENT DESCRIPTION

ITEM	FEATURES
1	Independently controlled, 5-way automatic injection system.
2	Control and monitoring of pH sensor and EC sensor. *
3	Dosing actuators 24VDC NC Valves.**
4	Pumps controlled by variable frequency drives.
5	Real-time recording of consumption through magnetic measurements.***
6	Monitor App on Google Play, Apple Store and Web App.

*Optional use 2 pH sensor and 2 EC sensor.

**Different alternatives.

***Applies in case of digital flowmeter.



Magnetic Sensor
(Available with Display)

Vortex Sensor

Cabinet is available in this colors:

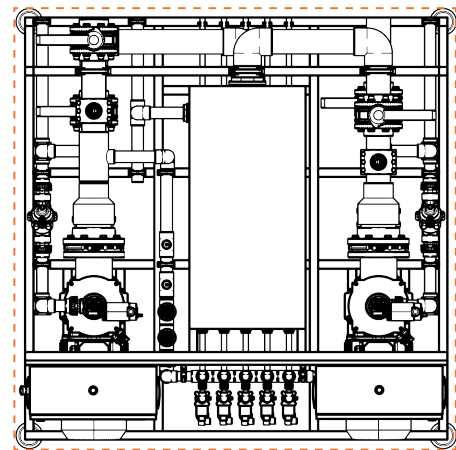
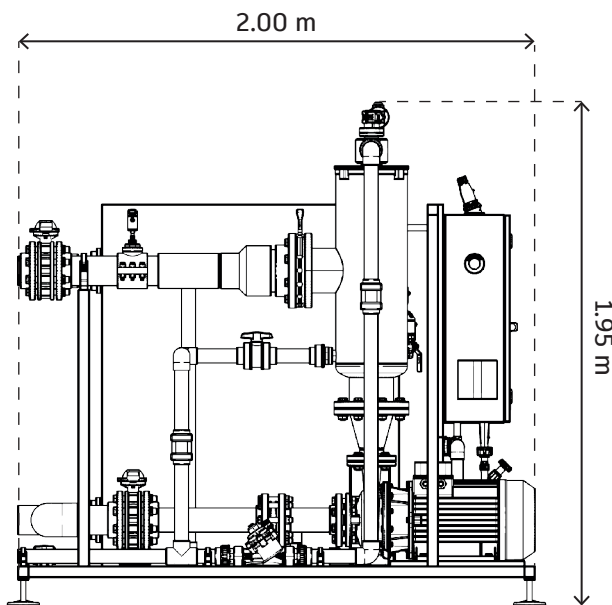
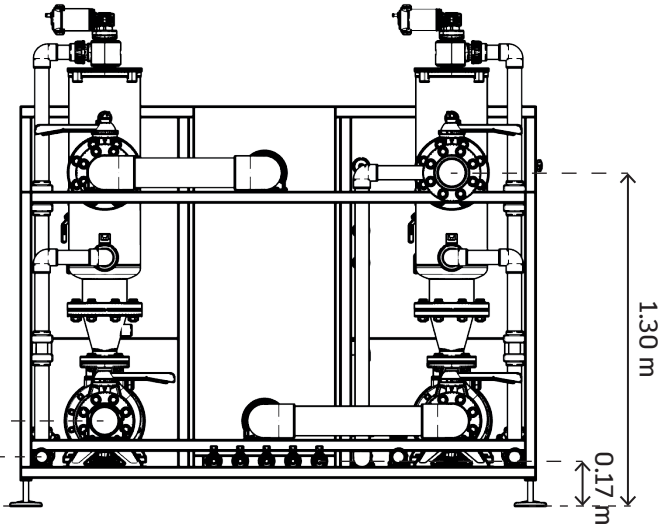
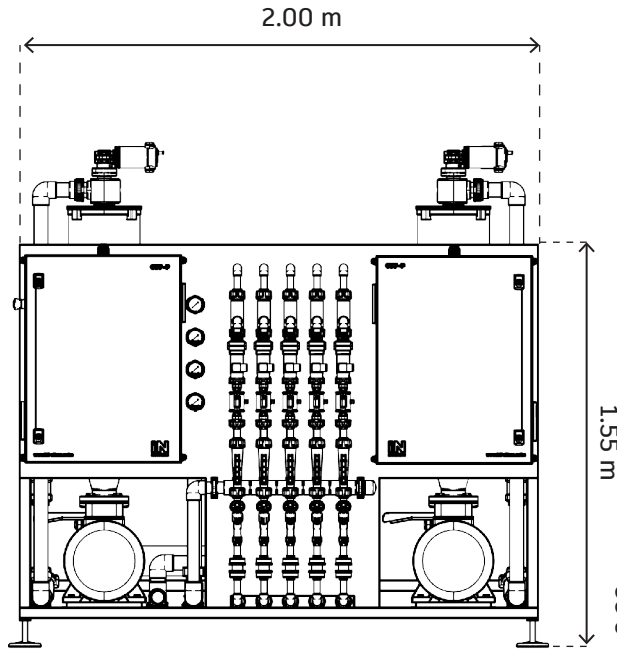


*OEM/Custom preference

- ENERGY OPTIMIZATION
- WATER MANAGEMENT
- CLIMATE INTEGRATION
- DATA MANAGEMENT
- SUSTAINABILITY
- IoT & SMART FARMING COMPATIBLE



DIMENSIONS & FOOTPRINT



Footprint: 4.00 m²

Note:
 - All 3D file drawing (.step, .dwg) are available.
 - The prices shown in the price list are valid from August 2023. They may be modified according to changes in materials and manufacturing accessories.

DIMENSIONS		
LENGTH	HEIGHT	WIDTH
2,00 m	1,95 m	2,00 m
FOOT PRINT		4,00 m ²

All rights reserved by iSinitzan. Reproduction and distribution of any part of this document is prohibited.

iSii-Nitzan GmbH
 Via Cremignone 4C, Sorengo,
 Switzerland, CH 6924
 +(41) 765851837
 info@isii-nitzan.swiss
 www.isii-nitzan.swiss

More Information:



Versión: J2024-1

ELECTRICAL SPECIFICATION

ITEM	DESCRIPTION	CAPACITY
1	POWER SUPPLY*	220 VAC - 380 VAC - 440 VAC / 3P
2	POWER RANGE	16 kW (220VAC - 440VAC)

*More options on demand

PUMP SPECIFICATION

ITEM	DESCRIPTION	CAPACITY
1	PUMP 01 - SERVICE	60 m3/h - 4.5 bar

AUTOMATIC FILTER

ITEM	DESCRIPTION	CAPACITY
1	MAXIMUM FLOW (P01)	100 m3/h
2	FILTRARION RANGE	100 / 200 µm
3	PIPING IN/OUT	Ø DN 100

EQUIPMENT DESCRIPTION

ITEM	FEATURES
1	Control and monitoring of pH sensor and EC sensor.*
2	Pumps use soft started
3	App on Google Play, Apple Store and Web App.

*Optional use 2 pH sensor and 2 EC sensor.



- ENERGY OPTIMIZATION
- WATER MANAGEMENT
- CLIMATE INTEGRATION
- DATA MANAGEMENT
- SUSTAINABILITY
- IoT & SMART FARMING COMPATIBLE

Cabinet is available in this colors:

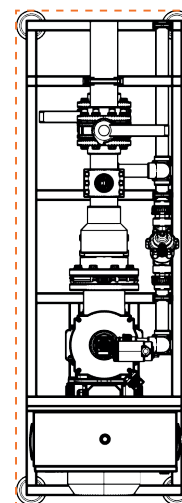
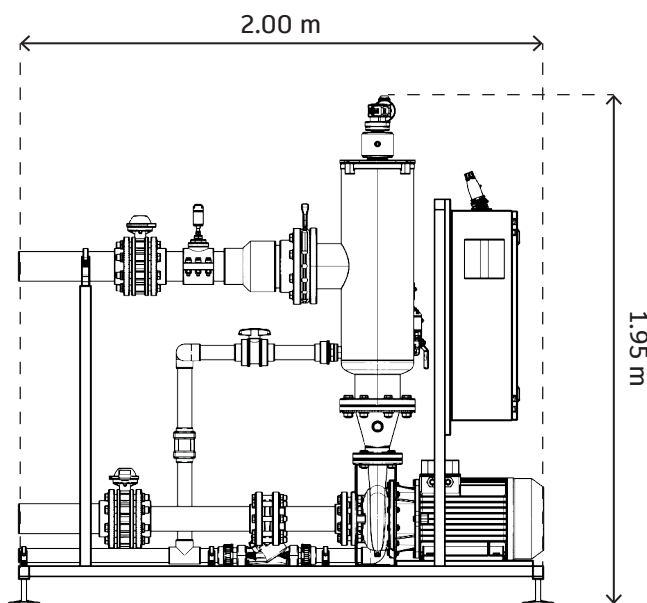
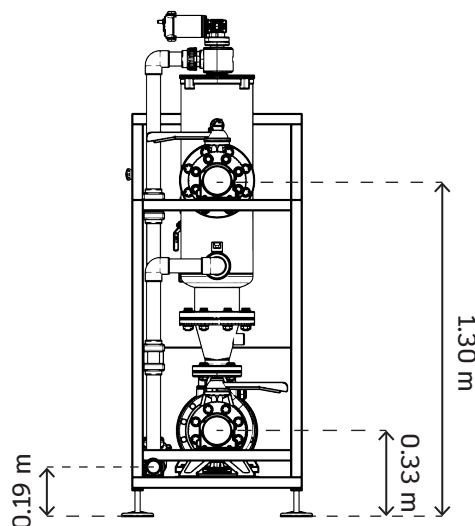
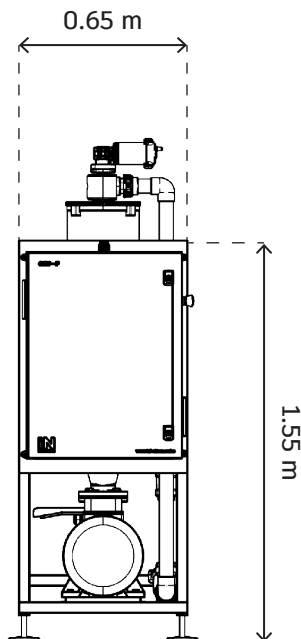


*OEM/Custom preference

All rights reserved by iSinitzan. Reproduction and distribution of any part of this document is prohibited.



DIMENSIONS & FOOTPRINT



Footprint: 1.30 m²

DIMENSIONS		
LENGTH	HEIGHT	WIDTH
0,65 m	1,95 m	2,00 m
FOOT PRINT		1,30 m ²

Note:
 - All 3D file drawing (.step, .dwg) are available.
 - The prices shown in the price list are valid from August 2023. They may be modified according to changes in materials and manufacturing accessories.

All rights reserved by iSinitzan. Reproduction and distribution of any part of this document is prohibited.

iSii-Nitzan GmbH
 Via Cremignone 4C, Sorengo,
 Switzerland, CH 6924
 +(41) 765851837
 info@isii-nitzan.swiss
 www.isii-nitzan.swiss

More Information:



Versión: J2024-1

ELECTRICAL SPECIFICATION

ITEM	DESCRIPTION	CAPACITY
1	POWER SUPPLY*	220 VAC - 380 VAC - 440 VAC / 3P
2	ENERGY	1.8 kW (220 VAC)

*More options on demand

FLOW SPECIFICATION

ITEM	DESCRIPTION	CAPACITY
1	PUMP 01 - SCALA	3 m ³ /h - 2.7 bar

CAPACITY SPECIFICATION

ITEM	DESCRIPTION	CAPACITY
1	GENERATOR CAPACITY	30 lts/hr
2	TREATMENT CAPACITY	1100 lts/day

PRECUSOR TANKS

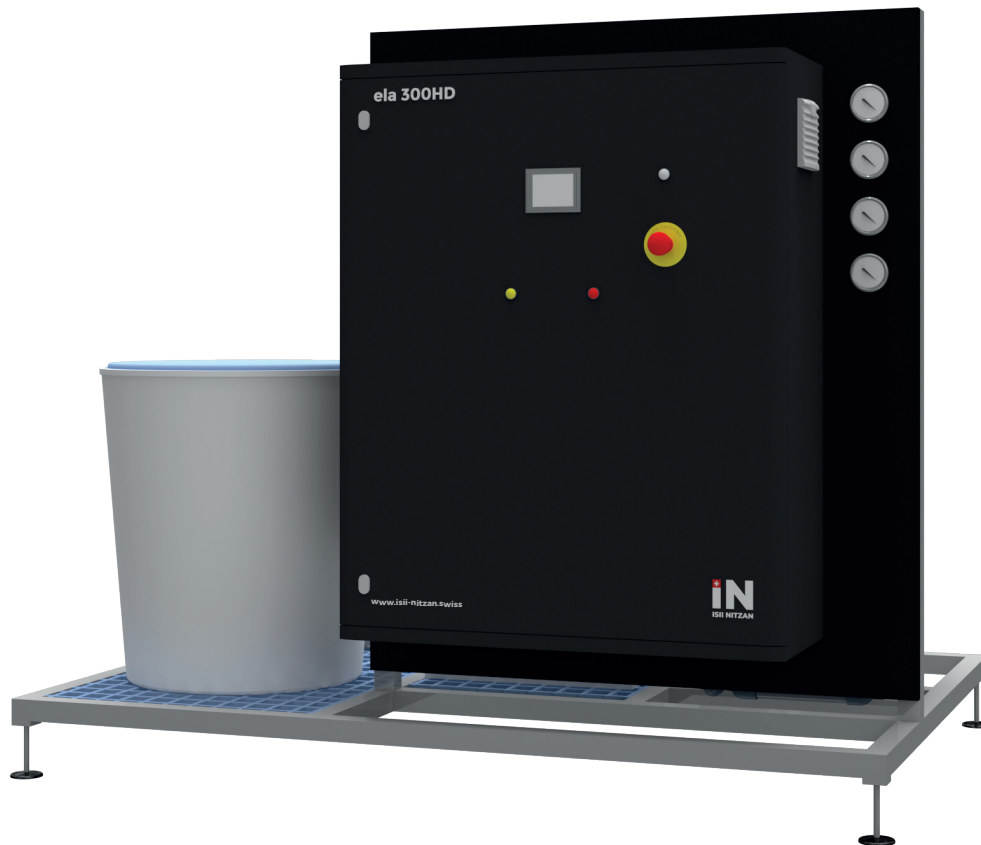
ITEM	DESCRIPTION	CAPACITY
1	SODIUM CHLORIDE (NaCl)	30 lts/hr
2	POTASSIUM CHLORIDE (KCl)	30 lts/hr

NEUTHOX SPECIFICATION

ITEM	DESCRIPTION	CAPACITY
1	pH	7.5
2	ORP REDOX	>700mV
3	FREE AVAILABLE CHLORINE (FAC)	1500 ppm

EQUIPMENT DESCRIPTION

ITEM	FEATURES
1	On-site production of a powerful organic disinfectant, totally safe, cost-effective and environmentally friendly.
2	Electrolysis process with 99.3% Potassium Chloride (KCl) as precursor.
3	Hypochlorous acid generation with 1500 ppm of free available chlorine (FAC).
4	Application in horticulture, keeps pipes clean and disinfects the water used in irrigation.



All rights reserved by iSiiNitzan. Reproduction and distribution of any part of this document is prohibited.

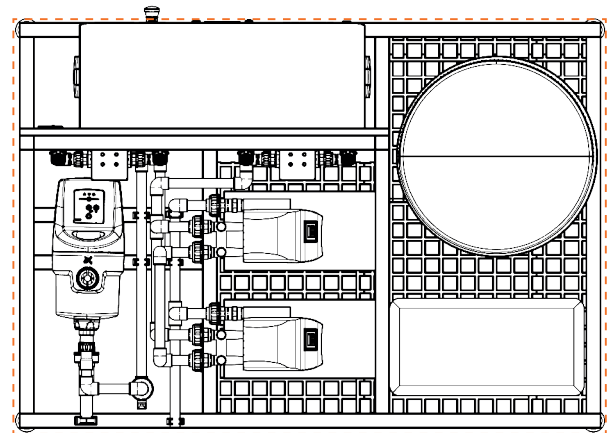
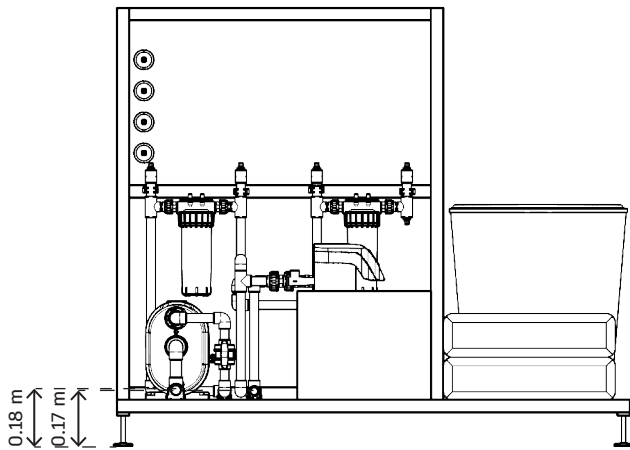
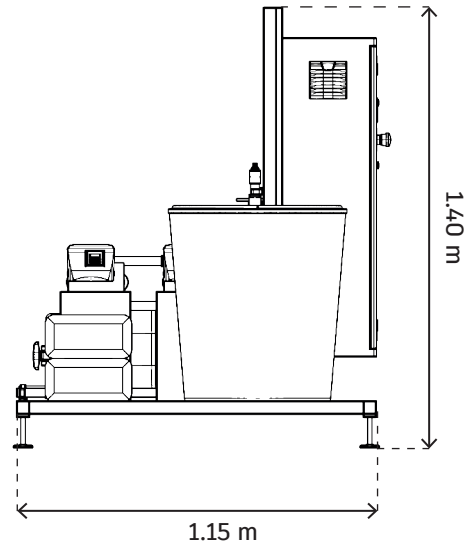
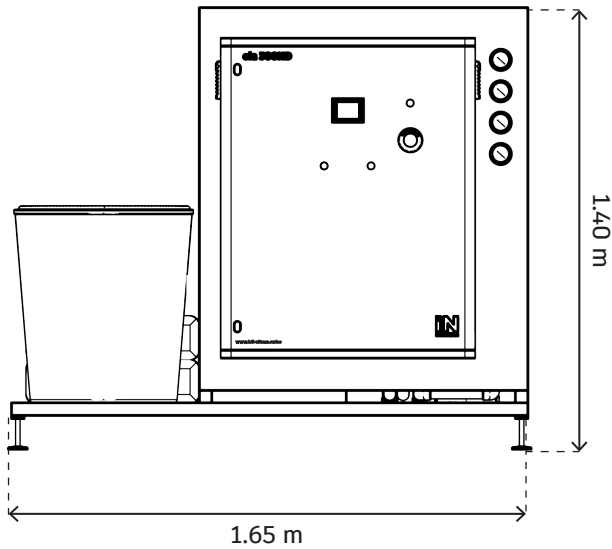
iSii-Nitzan GmbH
Via Cremignone 4C, Sorengo,
Switzerland, CH 6924
+(41) 765851837
info@isii-nitzan.swiss
www.isii-nitzan.swiss

More Information:



Versión: J2024-1

DIMENSIONS & FOOTPRINT



Footprint: 1.90 m²

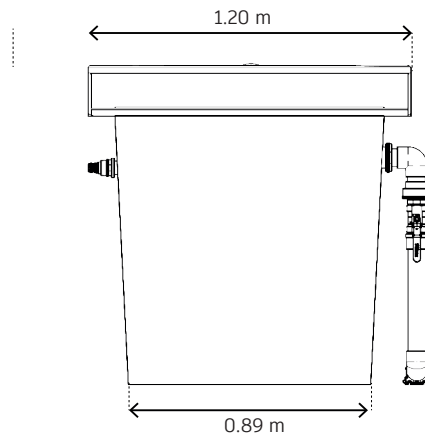
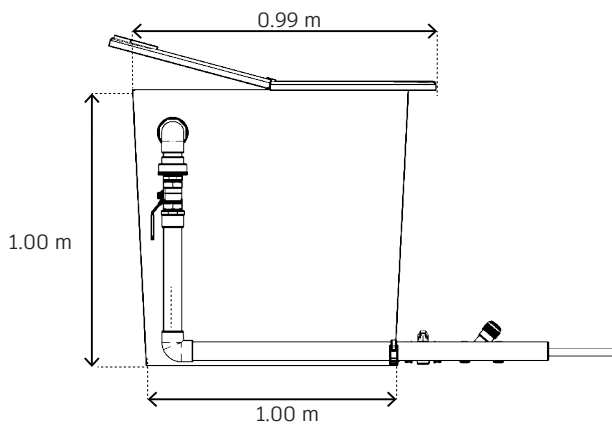
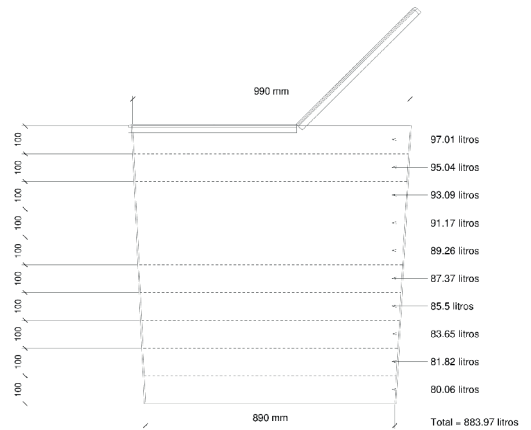
Note:
- All 3D file drawing (.step, .dwg) are available.
- The prices shown in the price list are valid from August 2023. They may be modified according to changes in materials and manufacturing accessories.

DIMENSIONS		
LENGTH	HEIGHT	WIDTH
1,65 m	1,40 m	1,15 m
FOOT PRINT		1,90 m ²



TANK - 1000 LITERS

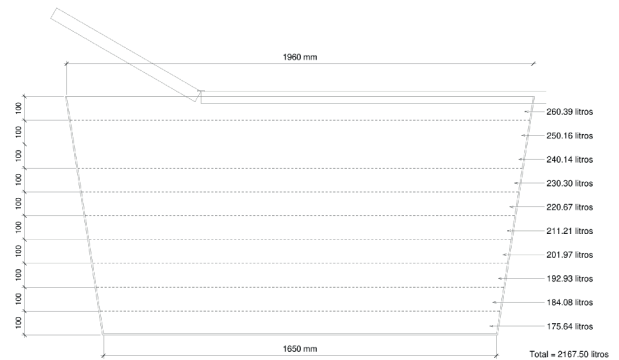
TANK - 1000 L				
ITEM	DESCRIPTION	FEATURES	CONTROL	CAPACITY
1	PRFV Tank. Reinforced polyester with Glass Fiber (3 Gel Coat Layers and 3 Glass Fiber Layers)	- Chemical Resistance. - Abrasion Resistance.	Level control system and alarm in each tank	1000 liters
2	Manual Valve 2"	2 "	Manual Tanks Filling	N/A
3	Manual Valve 32mm	32mm	Manual Tanks Discharge	N/A



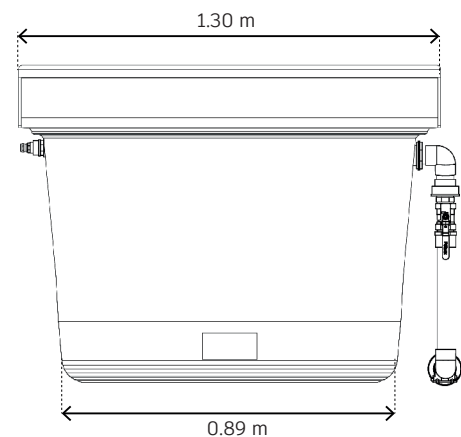
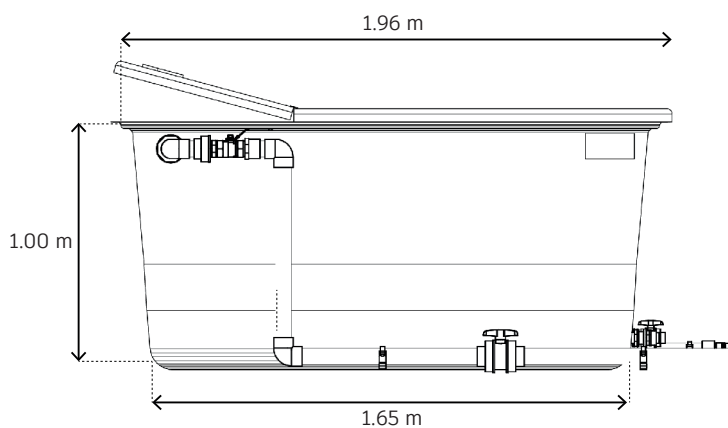
All rights reserved by iSiiNitzan. Reproduction and distribution of any part of this document is prohibited.

TANK - 2000 LITERS

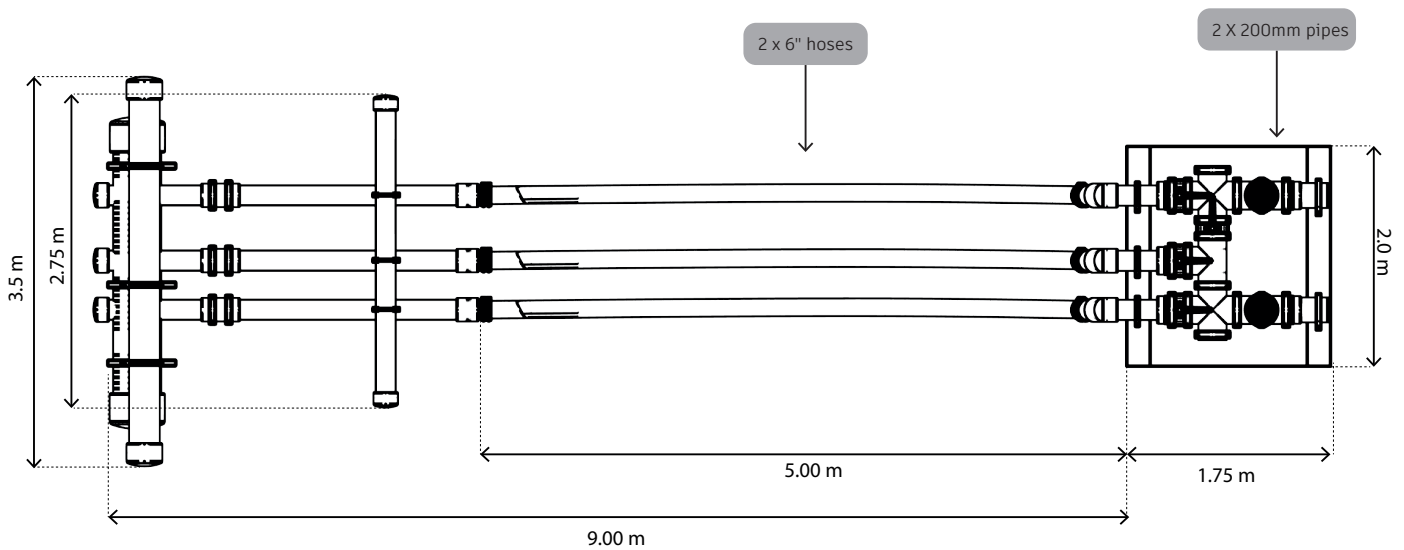
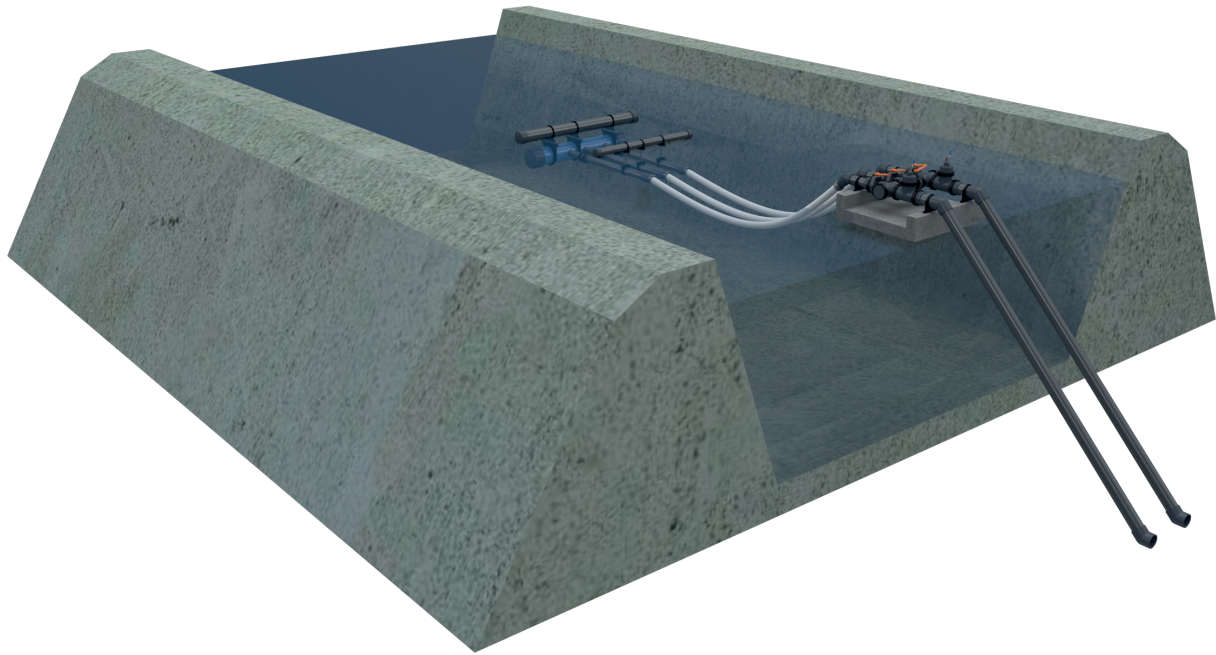
TANK - 2000 L				
ITEM	DESCRIPTION	FEATURES	CONTROL	CAPACITY
1	PRFV Tank. Reinforced polyester with Glass Fiber (3 Gel Coat Layers and 3 Glass Fiber Layers)	- Chemical Resistance. - Abrasion Resistance.	Level control system and alarm in each tank	2000 liters
2	Manual Valve 2"	2 "	Manual Tanks Filling	N/A
3	Manual Valve 32mm	32mm	Manual Tanks Discharge	N/A



TANK VOLUMETRY 2000 LTS.



SUCTION SYSTEM				
ITEMP	DESCRIPTION	FEATURES	CONTROL	CAPACITY
1	Suction Main Reservoir	1 x 6" drip hoses 1 x 6" aspersion hose	Manual	2 x 6" hoses 2 outlet pipes 200mm



All rights reserved by iSiinitzan. Reproduction and distribution of any part of this document is prohibited.