

ELECTRICAL SPECIFICATION

ITEM	DESCRIPTION	CAPACITY
1	POWER SUPPLY*	220 VAC
2	ENERGY	-1.8 kW (220 VAC)

*More options on demand

FLOW SPECIFICATION

ITEM	DESCRIPTION	CAPACITY
1	WATER PUMP 01	3 m ³ /h - 2.7 bar

CAPACITY SPECIFICATION

ITEM	DESCRIPTION	CAPACITY
1	GENERATOR CAPACITY	50 lts/hr
2	TREATMENT CAPACITY	1200 lts/day

PRECUSOR TANKS

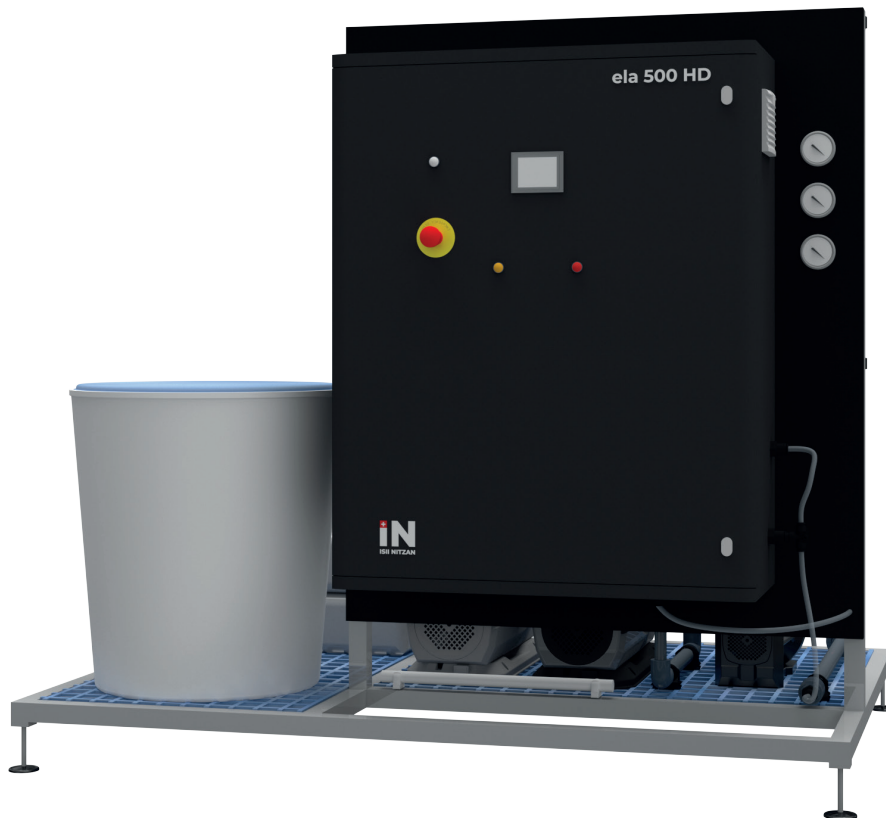
ITEM	DESCRIPTION	CAPACITY
1	SODIUM CHLORIDE (NaCl)	50 lts/hr
2	POTASSIUM CHLORIDE (KCl)	50 lts/hr

NEUTHOX SPECIFICATION

ITEM	DESCRIPTION	CAPACITY
1	pH	7.5
2	ORP REDOX	>700mV
3	FREE AVAILABLE CHLORINE (FAC)	2000 ppm

EQUIPMENT DESCRIPTION

ITEM	FEATURES
1	On-site production of a powerful organic disinfectant, totally safe, cost-effective and environmentally friendly.
2	Electrolysis process with 99.3% Potassium Chloride (KCl) as precursor.
3	Hypochlorous acid generation with 2000 ppm of free available chlorine (FAC).
4	Application in horticulture, keeps pipes clean and disinfects the water used in irrigation.



All rights reserved by iSinitzan. Reproduction and distribution of any part of this document is prohibited.

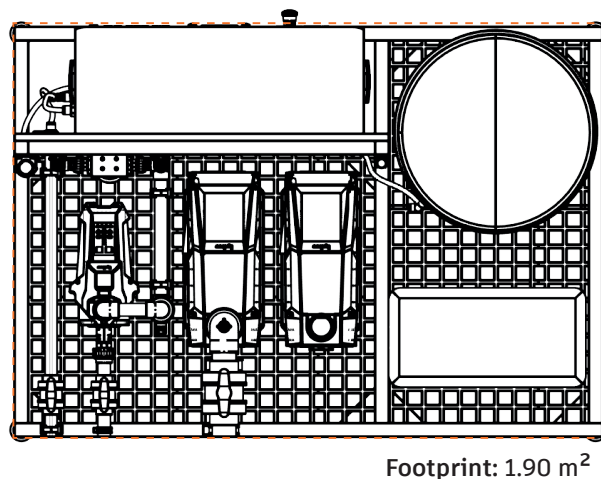
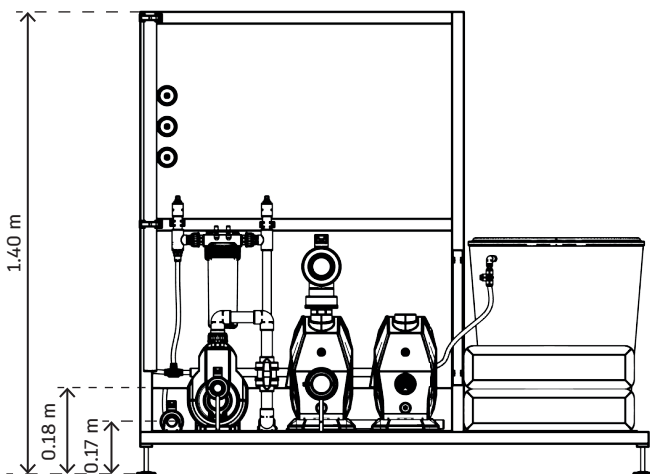
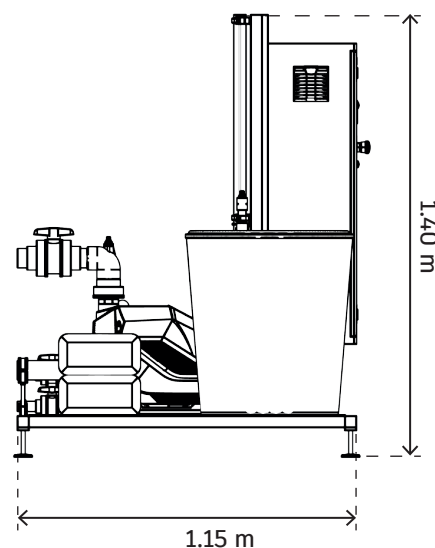
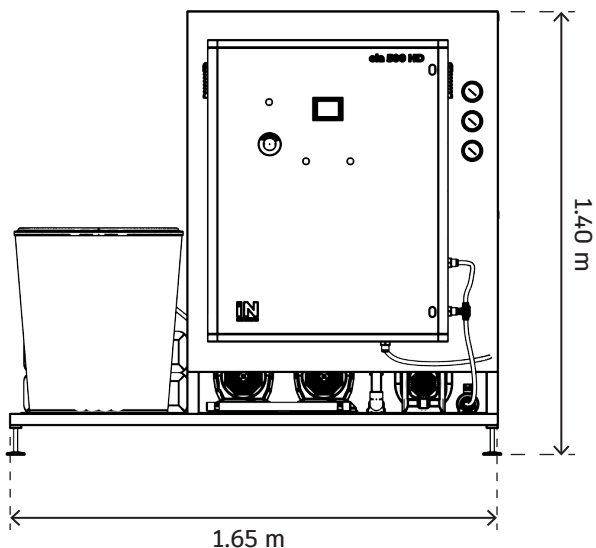
iSii-Nitzan GmbH
Via Cremignone 4C, Sorengo,
Switzerland, CH 6924
+(41) 765851837
info@isii-nitzan.swiss
www.isii-nitzan.swiss

More Information:



Versión: A2024-1

DIMENSIONS & FOOTPRINT



Note:
 - All 3D file drawing (.step, .dwg) are available.
 - The prices shown in the price list are valid from August 2023. They may be modified according to changes in materials and manufacturing accessories.

DIMENSIONS		
LENGTH	HEIGHT	WIDTH
1,65 m	1,40 m	1,15 m
FOOT PRINT		1,90 m ²

