

CODE:
NTZ-COMBI

CONTENT		
ITEM	EQUIPMENT	QUANTITY
1	PLASTIC HANDCASE BLACK	1
2	SHAPED FOAM	1
3	HAND METER	1
4	SCREWER	1
5	PH ELECTRODE	1
6	REDOX ELECTRODE	1
7	EC ELECTRODE	1
8	CALIBRATION FLUID PH4	1
9	CALIBRATION FLUID PH7	1
10	CALIBRATION FLUID PH10	1
11	CALIBRATION FLUID RX (468mV)	1
12	CALIBRATION FLUID EC (1288 mS)	1
13	CLEANING SOLUTION	1
14	SPARY BOTTLE 250ml	2
15	STICKER	1
16	GRADUATED CYLINDER 500ml	1
17	GRADUATED CYLINDER 25ml	1
18	GRADUATED CYLINDER 50ml	1
19	GRADUATED CYLINDER 250ml	1
20	SHAKER 244mm	1
21	PROBE HOLDER	1
22	BOX STICKER	1
23	PLASTIC SYRINGE 5ml	1
24	PLASTIC SYRINGE 10ml	1
25	PLASTIC SYRINGE 60ml	1

TECHNICAL SPECIFICATION		
ITEM	SENSOR	CAPACITY
1	EC	0 - 10 mS
2	pH	0 - 14
3	REDOX	0 - 2000 mV
4	BUFFER pH	10 - 7 - 4
5	BUFFER REDOX	465 mV



All rights reserved by iSiinitzan. Reproduction and distribution of any part of this document is prohibited.

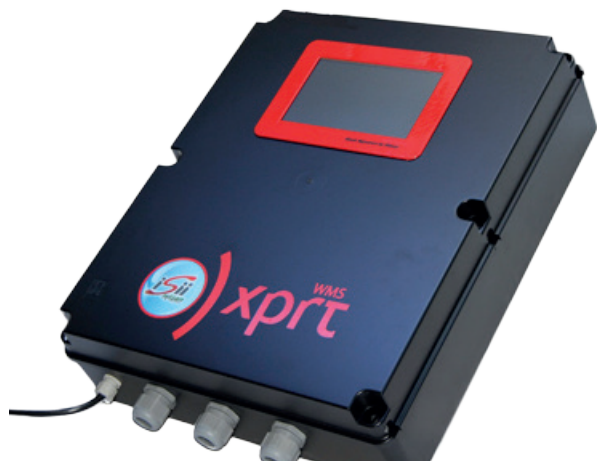
iSii-Nitzan GmbH
Via Cremignone 4C, Sorengo,
Switzerland, CH 6924
+(41) 765851837
info@isii-nitzan.swiss
www.isii-nitzan.swiss

More Information:



Versión: J2024-1

TOUCH CONTROLLER BLACK BOX - WMS1



ITEM	EQUIPMENT	QUANTITY
1	POWER SUPPLY 12V / 15 W	1
2	RX (ORP) MODULE AND PROBES	2
3	pH MODULE AND PROBES	2
4	OXYGEN INTERFACE AND PROBES	2
5	FLOW MODUKE AND SENSORS	2
6	WIFI KEY	1
7	PH7 CALIBRATION SOLUTION	1
8	PH4 CALIBRATION SOLUTION	1
9	PH10 CALIBRATION SOLUTION	1
10	RX 650mV CALIBRATION SOLUTION	1
11	SHIUKO IP 65 PLUG	1

KIT WATER - WMS2



ITEM	EQUIPMENT	QUANTITY
1	POWER SUPPLY 12V / 15 W	1
2	RX (ORP) MODULE AND PROBES	2
3	pH MODULE AND PROBES	2
4	OXYGEN INTERFACE AND PROBES	2
5	FLOW MODUKE AND SENSORS	2
6	WIFI KEY	1
7	PH7 CALIBRATION SOLUTION	1
8	PH4 CALIBRATION SOLUTION	1
9	PH10 CALIBRATION SOLUTION	1
10	RX 650mV CALIBRATION SOLUTION	1
11	SHIUKO IP 65 PLUG	1
12	MODULE 4 OUTPUT LOW VOLTAGE VALVE	1
13	MODULE 4 OUTPUT LOW VOLTAGE FERTILIZAR	1

All rights reserved by iSiiNitzan. Reproduction and distribution of any part of this document is prohibited.



The Touch Controller is an innovative and attractive control unit with 7" display. Its large touch screen offers straightforward programming and an excellent graphic display.

Using the Touch Controller by Aquatronica, you can monitor the chemical parameters of water and set programs to manage the peripheral units connected to it quite simply and quickly.

You can connect the device to the network via LAN or WIFI through supplied Wi-fi key.

The user interface is user-friendly. The work of a team of graphic designers and experts in the field of interface design and man-machine interfacing is focused on the user-friendliness of the system, assessing the reactions and the specific uses of customers over time to make each operation straightforward and immediate.

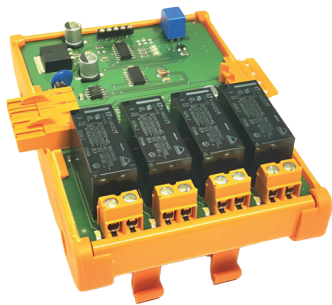
The network connections allow you to view the parameters and to manage the aquarium via Internet; they system also manages the automatic forwarding of e-mails for reports and alarms. It is compatible with Windows™ ed Apple™ . The Touch controller is equipped with a LAN connection, two USB ports and SD card reader.



TECHNICAL SPECIFICATION		
ITEM	DESCRIPTION	CAPACITY
1	DIMENSIONS WITH BRACKET	190,5x155x35,5cm
2	DIMENSIONS WITHOU BRACKET	180,5x128,5x34,5 cm
3	DISPLAY	7" colour touch screen
4	CONSUMPTION	< 5 W with display on, without USB devices, connected
5	POWER SUPPLY	12V dc with external power supply 110/120V – 50 Hhz
6	CONNECTIONS	USB, Ethernet, Wi-fi
7	SOFTWARE FUCTIONS	Touch screen interface, web interface, notification mails, webservice for custom
8	ADATA FILLING	USB, SD, internal memory
9	COMPATIBILITY	Windows™, Macintosh™

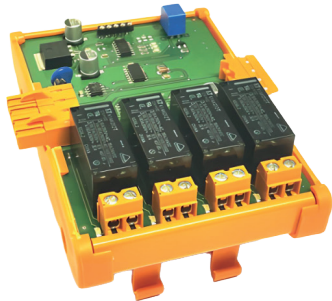


OUTPUT MODULE 4 OUT RELAY - NTZ004-CP



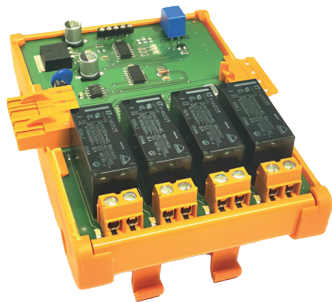
TECHNICAL SPECIFICATIONS		
ITEM	DESCRIPTION	CAPACITY
1	MAXIMUM LOAD CURRENT	10 A
2	NUMBER OF OUTPUTS	4
3	OUTPUT TYPE	Relay N.O

OUTPUT MODULE 4 OUT 12V OR 24V - NTZ004-VLV



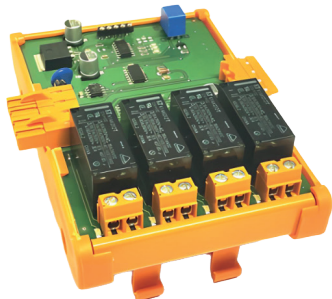
TECHNICAL SPECIFICATIONS		
ITEM	DESCRIPTION	CAPACITY
1	MAXIMUM LOAD CURRENT	4 A
2	NUMBER OF OUTPUTS	4
3	OUTPUT TYPE	SCR
4	INPUT VOLTAGE	24 VAC
5	OUTPUT VOLTAGE	24 VAC

OUTPUT MODULE 4 OUT 12V OR 24V - NTZ004-FRT



TECHNICAL SPECIFICATIONS		
ITEM	DESCRIPTION	CAPACITY
1	MAXIMUM LOAD CURRENT	4 A
2	NUMBER OF OUTPUTS	4
3	OUTPUT TYPE	SCR
4	INPUT VOLTAGE	24 VAC
5	OUTPUT VOLTAGE	24 VAC

OUTPUT MODULE 4 OUT 110-220 VAC - NTZ004-HV



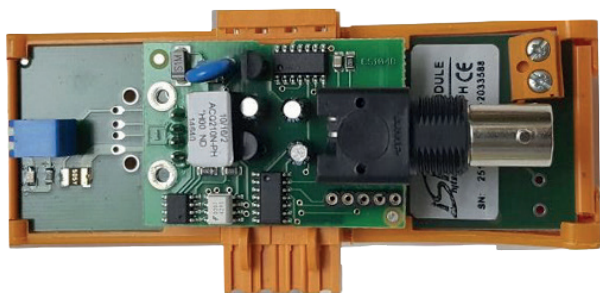
TECHNICAL SPECIFICATIONS		
ITEM	DESCRIPTION	CAPACITY
1	MAXIMUM LOAD CURRENT	16 A
2	NUMBER OF OUTPUTS	4
3	OUTPUT TYPE	Relay N.O.
4	INPUT VOLTAGE	110/220 VAC 50/60 Hz
5	OUTPUT VOLTAGE	110/220 VAC 50/60 Hz

All rights reserved by iSiiNitzan. Reproduction and distribution of any part of this document is prohibited.



PH MODULE - NTZ-210N-PH

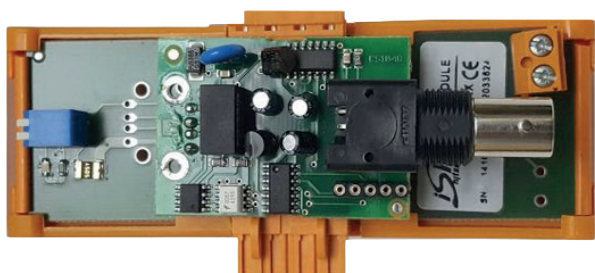
PH Interface for measuring and checking the pH, by simply connecting a pH electrode. The moment the interface is connected, it will automatically be identified by the system “Plug & Play” as well as enable the relevant configuration menu.



TECHNICAL SPECIFICATIONS		
ITEM	DESCRIPTION	CAPACITY
1	MEASURING RANGE	From 0 to 4 pH
2	MEASURING RESOLUTION	0,01 pH
3	HYSTERESIS	Set by user
4	ALARMS	Audio and visual with thresholds set by user
5	CALIBRATION	2-point semi-automatic

REDOX MODULE - NTZ-210N-RX

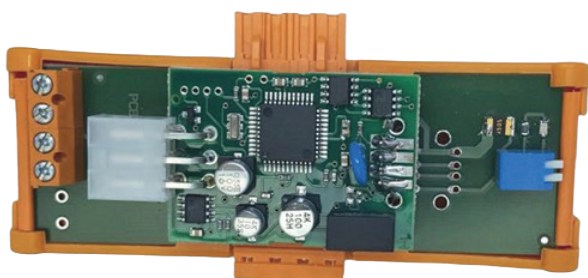
Redox Interface for measuring and checking the ORP value (Oxide-Reduction Potential) in by connecting a ORP electrode. The moment the interface is connected, it will automatically be identified by the system “Plug & Play” as well as enable the relevant configuration menu.



TECHNICAL SPECIFICATIONS		
ITEM	DESCRIPTION	CAPACITY
1	MEASURING RANGE	From 0mV to 1400mV
2	MEASURING RESOLUTION	1 mV
3	HYSTERESIS	Set by user
4	ALARMS	Audio and visual with thresholds set by user
5	CALIBRATION	2-point semi-automatic

EC MODULE - NTZ-210N-EC

The conductivity interface is used to measure and control the conductivity value in water through the connection of the EC NITZAN electrode. The moment the interface is connected, it will automatically be identified by the system “Plug & Play” as well as enable the relevant configuration menu.



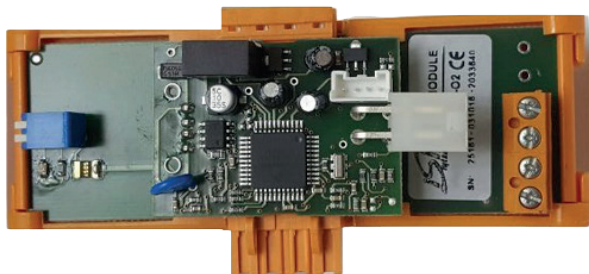
TECHNICAL SPECIFICATIONS		
ITEM	DESCRIPTION	CAPACITY
1	MEASURING RANGE	From 0mS to 15mS
2	MEASURING RESOLUTION	0,1 mS
3	HYSTERESIS	Set by user
4	ALARMS	Audio and visual with thresholds set by user
5	CALIBRATION	1-point semi-automatic
6	COMPENSATION TEMPERATURE	From 5 °C to 35 °C

All rights reserved by iSiiNitzan. Reproduction and distribution of any part of this document is prohibited.



OXYGEN MODULE - NTZ-210N-O2

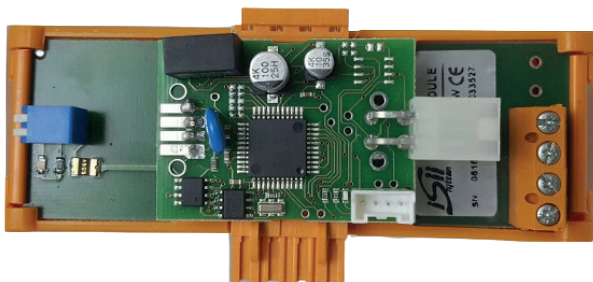
Dissolved Oxygen Interface is used to measure and control the value of dissolved oxygen in water (O₂), through the connection of the O₂ NITZAN Electrode. The moment the interface is connected, it will automatically be identified by the system “Plug & Play” as well as enable the relevant configuration menu.



TECHNICAL SPECIFICATIONS		
ITEM	DESCRIPTION	CAPACITY
1	MEASURING RANGE	0-15 ppm / 0-120 %
2	MEASURING RESOLUTION	1 % or 0,1 ppm
3	TEMPERATURE COMPENSATION	With PT100
4	ALARMS	Audio and visual with thresholds set by user
5	CALIBRATION	2 points

PH MODULE - NTZ-210N-PH

Flow meter module is used to measure and control the water flow in pipes of different diameter through the connection with NITZAN flow sensor. With the same sensor, it is possible to have the flow and the liter counter measurement. The moment the interface is connected, it will automatically be identified by the system “Plug & Play” as well as enable the relevant configuration menu.



TECHNICAL SPECIFICATIONS		
ITEM	DESCRIPTION	CAPACITY
1	MEASURING RESOLUTION	0,1 lt/hr
2	ALARMS	Audio and visual with thresholds set by user
3	CALIBRATION	1 point
4	KIND OF SENSOR	With square wave or free contact

ACCESSORIES - NTZ-400



ART. CODE	DESCRIPTION
NTZ-400	Bus communication connector



PH SENSOR - NTZ-310N-PH

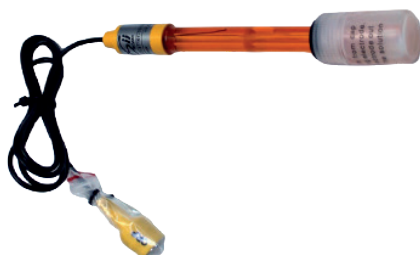
The pH electrode is for measuring the pH level on an aquarium in continuous immersion. It must be connected to power units through the appropriate interface. Thanks to our systems flexibility, it is possible to simultaneously connect and monitor several electrodes and interfaces of the same type.



TECHNICAL SPECIFICATIONS		
ITEM	EQUIPMENT	QUANTITY
1	MEASURING RANGE	From 0 to 14 pH
2	MATERIAL	Single joint combined electrode with plastic casing.

REDOX SENSOR - NTZ-310N-RX

The Redox electrode (ORP) is for measuring the ORP value continuous immersion. It must be connected to the power unit through the dedicated interface. Thanks to our systems flexibility, it is possible to simultaneously connect and monitor several electrodes and interfaces of the same type.



TECHNICAL SPECIFICATIONS		
ITEM	EQUIPMENT	QUANTITY
1	MEASURING RANGE	From - 0mV to 1400mV
2	MATERIAL	Single joint combined electrode with plastic casing.

OXYGEN POLAROGRAPHIC PROBE - NTZ-310N-O2

Dissolved Oxygen Probe is used to measure and control the value of dissolved oxygen in water (O₂); This value can be displayed as % of saturation or as ppm.



TECHNICAL SPECIFICATIONS		
ITEM	EQUIPMENT	QUANTITY
1	MEASURING RANGE	0-15 ppm / 0 - 120%
2	TEMPERATURE SENSOR	PT100
	KIND OF SENSOR	Pholarographic

All rights reserved by iSiinitzan. Reproduction and distribution of any part of this document is prohibited.



EC ELECTRODE - NTZ-310N-EC

The EC electrode is used to measure the Conductivity value in continuous immersion in water. This value can be displayed as Conductivity. It must be connected to the power unit through the dedicated interface.



TECHNICAL SPECIFICATIONS		
ITEM	EQUIPMENT	QUANTITY
1	MEASURING RANGE	From 0 mS to 15 mS
2	MATERIAL	Plastic sensor with 2 graphite electrodes

FLOW METER SENSOR- NTZ-310N-FW-1/2



TECHNICAL SPECIFICATIONS		
ITEM	EQUIPMENT	QUANTITY
1	POWER SUPPLY	12 VDC
2	OUTPUT SIGNAL	Amplified Square Wave

ACCESSORIES



ART. CODE

DESCRIPTION

NTZ-404

Tube probe holder 40mm - 1/2"



ART. CODE

DESCRIPTION

NTZ-408

Glass probe holder for 3 probes

All rights reserved by iSiiNitzan. Reproduction and distribution of any part of this document is prohibited.



POWER SUPPLY 12 VDC 15W - NTZSW-12-15



TECHNICAL SPECIFICATIONS		
ITEM	EQUIPMENT	QUANTITY
1	INPUT VOLTAGE	100 VAC - 264 VAC 50/60 Hz
2	OUTPUT VOLTAGE	12 VDC 15 W

POWER SUPPLY 12 VDC 60W - NTZSW-12-60

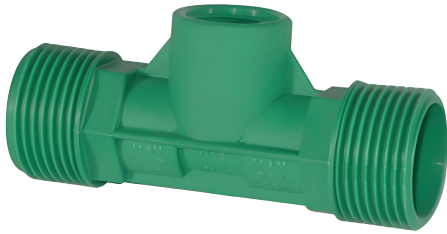


TECHNICAL SPECIFICATIONS		
ITEM	EQUIPMENT	QUANTITY
1	INPUT VOLTAGE	100 VAC - 264 VAC 50/60 Hz
2	OUTPUT VOLTAGE	12 VDC 60 W

All rights reserved by iSiNitzan. Reproduction and distribution of any part of this document is prohibited.



FLOWMETER - NTZ 330-1/2



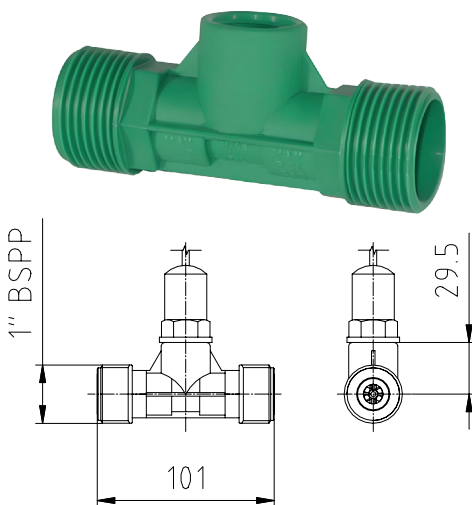
TECHNICAL SPECIFICATIONS		
ITEM	EQUIPMENT	QUANTITY
1	MATERIAL	NYLON
2	SIZE	1/2"
3	FLOW RATE	3 - 30 Lt/min
4	PRESSURE	20 Bar
5	SUPPORTS	Graphite

FLOWMETER - NTZ 330-3/4



TECHNICAL SPECIFICATIONS		
ITEM	EQUIPMENT	QUANTITY
1	MATERIAL	NYLON
2	SIZE	3/4"
3	FLOW RATE	7 - 70 Lt/min
4	PRESSURE	20 Bar
5	SUPPORTS	Ceramic

FLOWMETER - NTZ 330-1

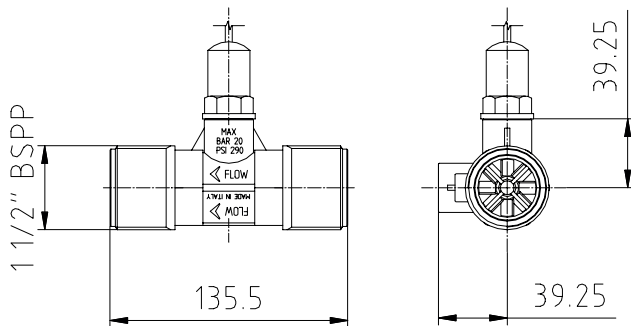


TECHNICAL SPECIFICATIONS		
ITEM	EQUIPMENT	QUANTITY
1	MATERIAL	NYLON
2	SIZE	1"
3	FLOW RATE	10 - 100 Lt/min
4	PRESSURE	20 Bar
5	SUPPORTS	Ceramic

All rights reserved by iSiNitzan. Reproduction and distribution of any part of this document is prohibited.



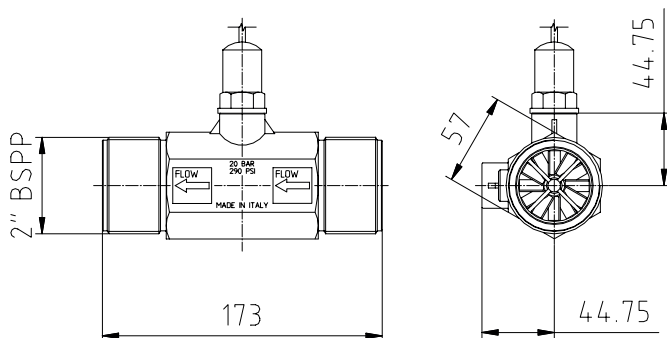
FLOWMETER - NTZ 330-1.5



TECHNICAL SPECIFICATIONS

ITEM	EQUIPMENT	QUANTITY
1	MATERIAL	NYLON
2	SIZE	1 1/2"
3	FLOW RATE	35 - 350 Lt/min
4	PRESSURE	20 Bar
5	SUPPORTS	Ceramic

FLOWMETER - NTZ 330-2



TECHNICAL SPECIFICATIONS

ITEM	EQUIPMENT	QUANTITY
1	MATERIAL	NYLON
2	SIZE	2"
3	FLOW RATE	75 - 750 Lt/min
4	PRESSURE	20 Bar
5	SUPPORTS	Ceramic

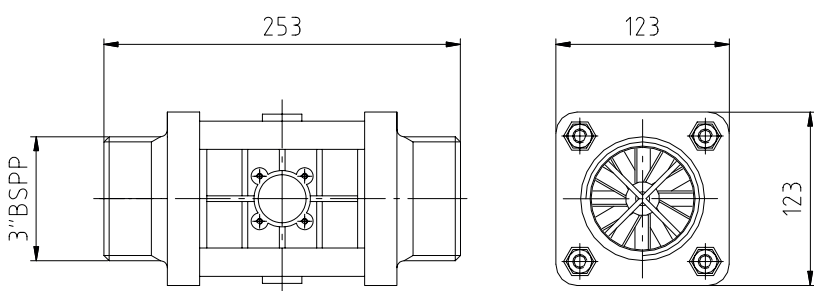
All rights reserved by iSiiNitzan. Reproduction and distribution of any part of this document is prohibited.



FLOWMETER - NTZ 330-3



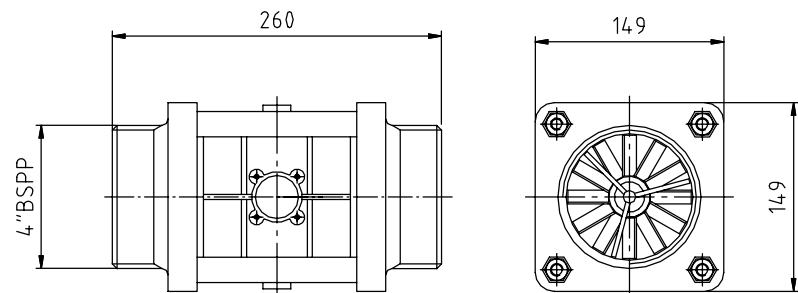
TECHNICAL SPECIFICATIONS		
ITEM	EQUIPMENT	QUANTITY
1	MATERIAL	NYLON
2	SIZE	3"
3	FLOW RATE	150 - 1500 Lt/min
4	PRESSURE	20 Bar
5	SUPPORTS	Ceramic



FLOWMETER - NTZ 330-4



TECHNICAL SPECIFICATIONS		
ITEM	EQUIPMENT	QUANTITY
1	MATERIAL	NYLON
2	SIZE	4"
3	FLOW RATE	300 - 3000 Lt/min
4	PRESSURE	20 Bar
5	SUPPORTS	Ceramic



All rights reserved by iSiinitzan. Reproduction and distribution of any part of this document is prohibited.





NTZ410-PH7

ART. CODE	DESCRIPTION
NTZ410-PH7	The pH7 calibration solution is used to calibrate the pH electrode.



NTZ410-PH10

ART. CODE	DESCRIPTION
NTZ410-PH10	The pH10 calibration solution is used to calibrate the pH electrode.



NTZ410-650MV

ART. CODE	DESCRIPTION
NTZ410-650MV	The 650mV calibration solution is used to calibrate the REDOX electrode.



NTZ410-EC

ART. CODE	DESCRIPTION
NTZ410-EC	The EC calibration solution is used to calibrate the EC electrode.



NTZ410-PH4

ART. CODE	DESCRIPTION
NTZ410-PH4	The pH4 calibration solution is used to calibrate the pH electrode.

All rights reserved by iSiinitzan. Reproduction and distribution of any part of this document is prohibited.

