

### ELECTRICAL SPECIFICATION

ITEM	DESCRIPTION	CAPACITY
1	POWER SUPPLY*	220 VAC - 380 VAC - 440 VAC / 3P
2	ENERGY	1.8 kW (220 VAC)

\*More options on demand

### FLOW SPECIFICATION

ITEM	DESCRIPTION	CAPACITY
1	PUMP 01 - SCALA	3 m <sup>3</sup> /h - 2.7 bar

### CAPACITY SPECIFICATION

ITEM	DESCRIPTION	CAPACITY
1	GENERATOR CAPACITY	30 lts/hr
2	TREATMENT CAPACITY	1100 lts/day

### PRECUSOR TANKS

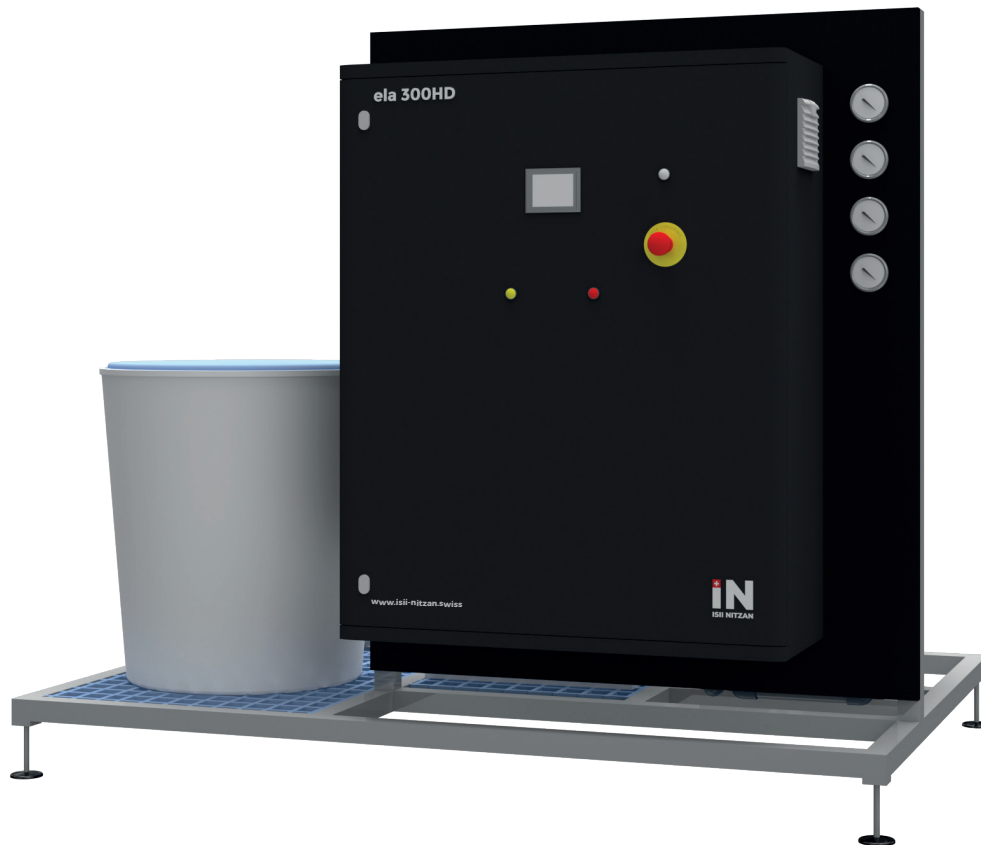
ITEM	DESCRIPTION	CAPACITY
1	SODIUM CHLORIDE (NaCl)	30 lts/hr
2	POTASSIUM CHLORIDE (KCl)	30 lts/hr

### NEUTHOX SPECIFICATION

ITEM	DESCRIPTION	CAPACITY
1	pH	7.5
2	ORP REDOX	>700mV
3	FREE AVAILABLE CHLORINE (FAC)	1500 ppm

### EQUIPMENT DESCRIPTION

ITEM	FEATURES
1	On-site production of a powerful organic disinfectant, totally safe, cost-effective and environmentally friendly.
2	Electrolysis process with 99.3% Potassium Chloride (KCl) as precursor.
3	Hypochlorous acid generation with 1500 ppm of free available chlorine (FAC).
4	Application in horticulture, keeps pipes clean and disinfects the water used in irrigation.



All rights reserved by iSiiNitzan. Reproduction and distribution of any part of this document is prohibited.

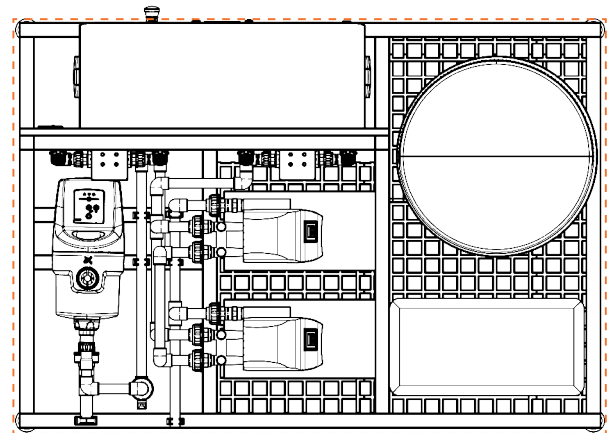
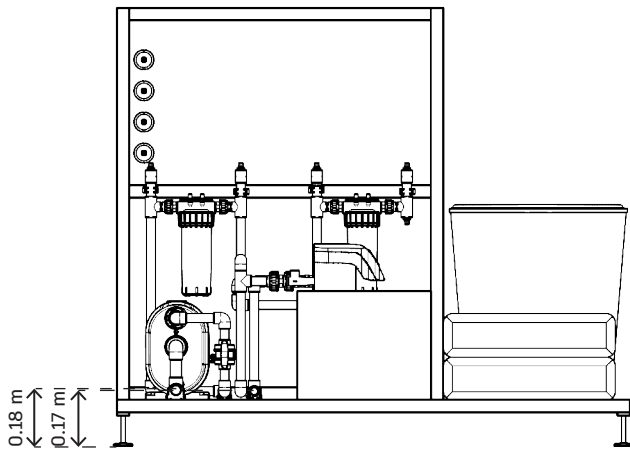
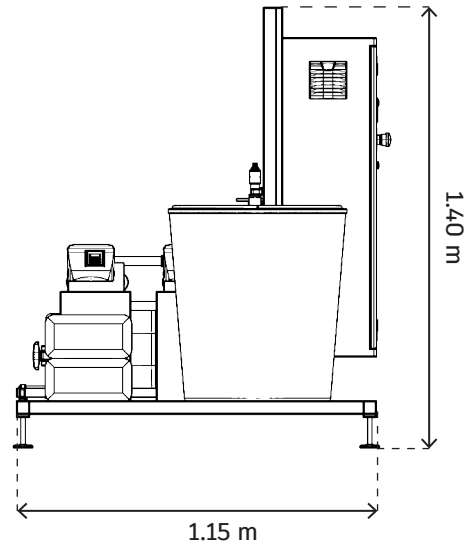
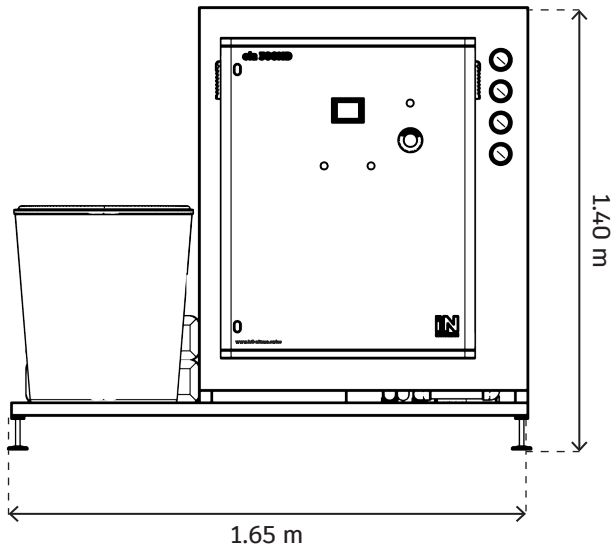
**iSii-Nitzan GmbH**  
Via Cremignone 4C, Sorengo,  
Switzerland, CH 6924  
+(41) 765851837  
info@isii-nitzan.swiss  
www.isii-nitzan.swiss

More Information:



Versión: J2024-1

**DIMENSIONS & FOOTPRINT**



Footprint: 1.90 m<sup>2</sup>

**Note:**  
 - All 3D file drawing (.step, .dwg) are available.  
 - The prices shown in the price list are valid from August 2023. They may be modified according to changes in materials and manufacturing accessories.

DIMENSIONS		
LENGTH	HEIGHT	WIDTH
1,65 m	1,40 m	1,15 m
FOOT PRINT		1,90 m <sup>2</sup>

