

ELECTRICAL SPECIFICATION		
ITEM	DESCRIPTION	CAPACITY
1	POWER SUPPLY*	220 VAC - 380 VAC - 440 VAC / 3P
2	ENERGY	67 kW (440 VAC)

\*More options on demand

FLOW SPECIFICATION		
ITEM	DESCRIPTION	CAPACITY
1	PUMP 01 - TK SOLUTION 1	120 m <sup>3</sup> /h - 5,5 bar
2	PUMP 02 - TK SOLUTION 2	120 m <sup>3</sup> /h - 5,5 bar
1	PUMP 03 - TK SOLUTION 3	120 m <sup>3</sup> /h - 5,5 bar

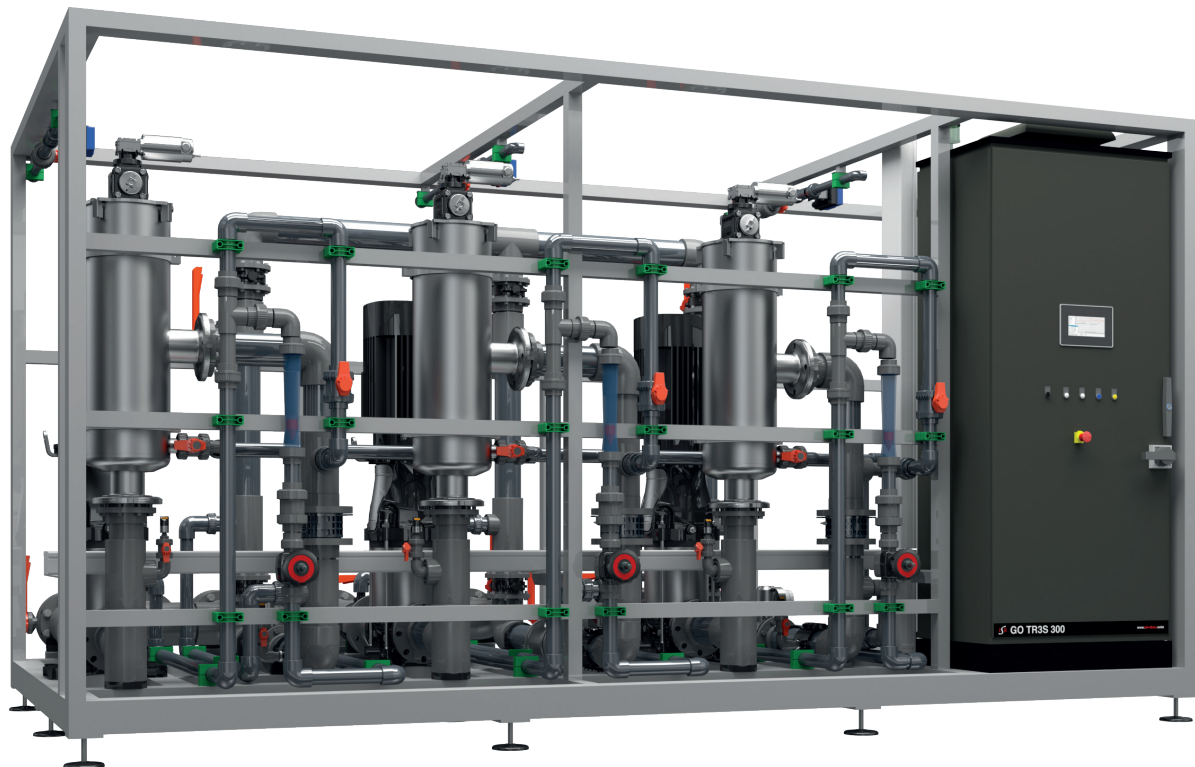
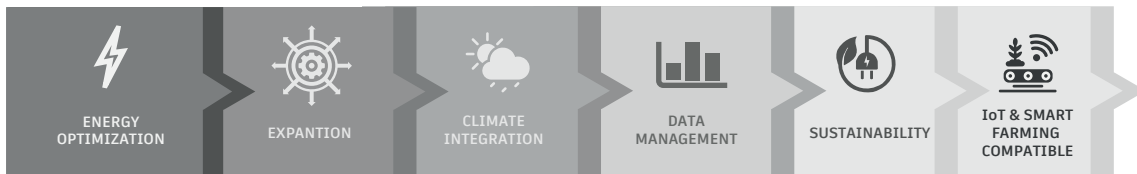
DOSING CHANNELS		
ITEM	DESCRIPTION	CAPACITY
1	NUMBER OF DOSING CHANNELS*	3
2	VENTURI	300 - 3000 lts/hr.

TANK SPECIFICATION		
ITEM	DESCRIPTION	CAPACITY
1	STORAGE TANK	500 m <sup>3</sup> x 3

AUTOMATIC FILTER		
ITEM	DESCRIPTION	CAPACITY
1	MAXIMUM FLOW (P01 to P03)	150 m <sup>3</sup> /h
2	FILTRARION RANGE	100 µm
3	PIPING IN/OUT	Ø DN 150

EQUIPMENT DESCRIPTION	
ITEM	FEATURES
1	Expansion unit composed of 3 pumps, perfect to boost the irrigation system.
2	Integrates into an existing system.
3	Automatic filtration system.
4	Control and monitoring of pH and EC.*
5	Organic injection system.
6	Pumps controlled by variable frequency drives.
7	Real-time control and monitoring through HMI and PLC.

\*Optional use 2 pH/EC sensor.



All rights reserved by iSiiNitzan. Reproduction and distribution of any part of this document is prohibited.

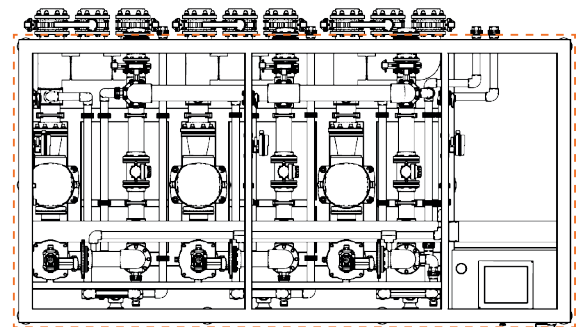
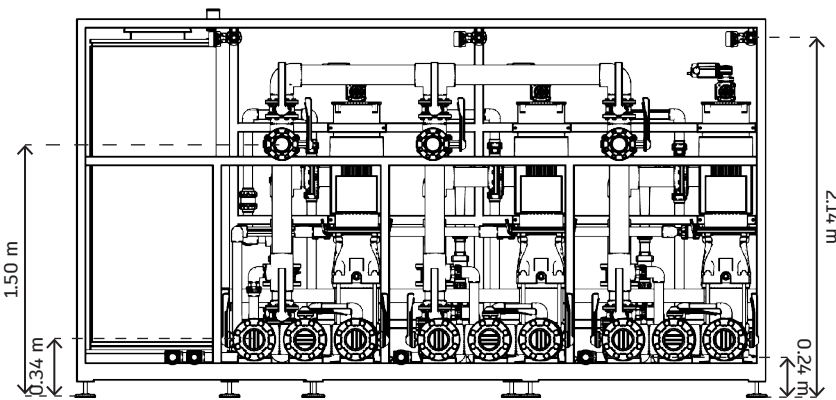
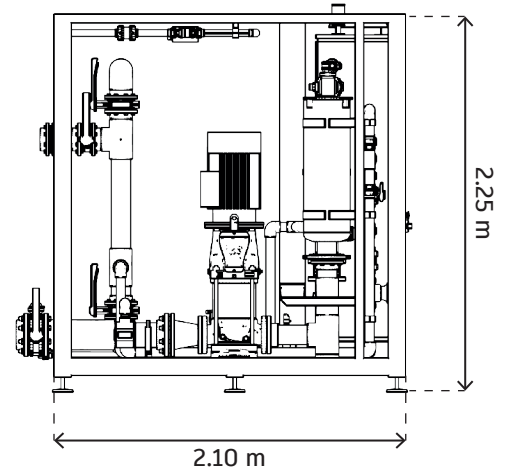
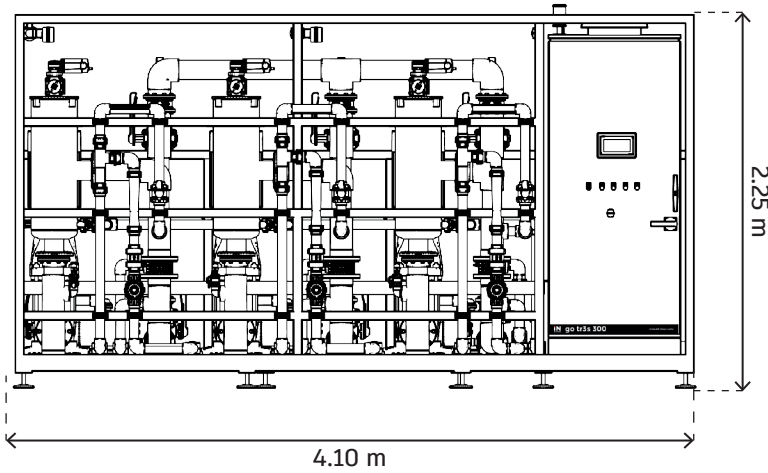
**iSii-Nitzan GmbH**  
Via Cremignone 4C, Sorengo,  
Switzerland, CH 6924  
+(41) 765851837  
info@isii-nitzan.swiss  
www.isii-nitzan.swiss

More Information:



Versión: J2024-1

## DIMENSIONS & FOOTPRINT



Footprint: 8.61 m<sup>2</sup>

**Note:**  
 - All 3D file drawing (.step, .dwg) are available.  
 - The prices shown in the price list are valid from August 2023. They may be modified according to changes in materials and manufacturing accessories.

DIMENSIONS		
LENGTH	HEIGHT	WIDTH
4,10m	2,25 m	2,10 m
FOOT PRINT		8,61 m <sup>2</sup>

All rights reserved by iSinitzan. Reproduction and distribution of any part of this document is prohibited.

**iSii-Nitzan GmbH**  
 Via Cremignone 4C, Sorengo,  
 Switzerland, CH 6924  
 +(41) 765851837  
 info@isii-nitzan.swiss  
 www.isii-nitzan.swiss

More Information:



Versión: J2024-1