

ELECTRICAL SPECIFICATION

ITEM	DESCRIPTION	CAPACITY
1	POWER SUPPLY*	220 VAC - 380 VAC - 440 VAC / 3P
2	ENERGY	88 kW (440 VAC)

*More options on demand

FLOW SPECIFICATION

ITEM	DESCRIPTION	CAPACITY
1	PUMP 01 - FILLING	150 m3/h - 4 bar
2	PUMP 02 - CLEAN WATER	150 m3/h - 4 bar
3	PUMP 03 - BOOSTER	20 m3/h - 6 bar
4	PUMP 04 - DRIP 01	75 m3/h - 3,5 bar
5	PUMP 05 - DRIP 02	75 m3/h - 3,5 bar

DOSING CHANNELS

ITEM	DESCRIPTION	CAPACITY
1	NUMBER OF DOSING CHANNELS*	10 (8 IPERMIXER & 2 SERVICE PUMP UNIT)
2	VENTURI + ROTAMETER + MAGNETIC FLOWMETER**	100 - 1000 lts/hr.

*Available under request up 9 to 14 dosing channels.

**Optional use of magnetic flowmeter with display or vortex flowmeter

AUTOMATIC FILTER

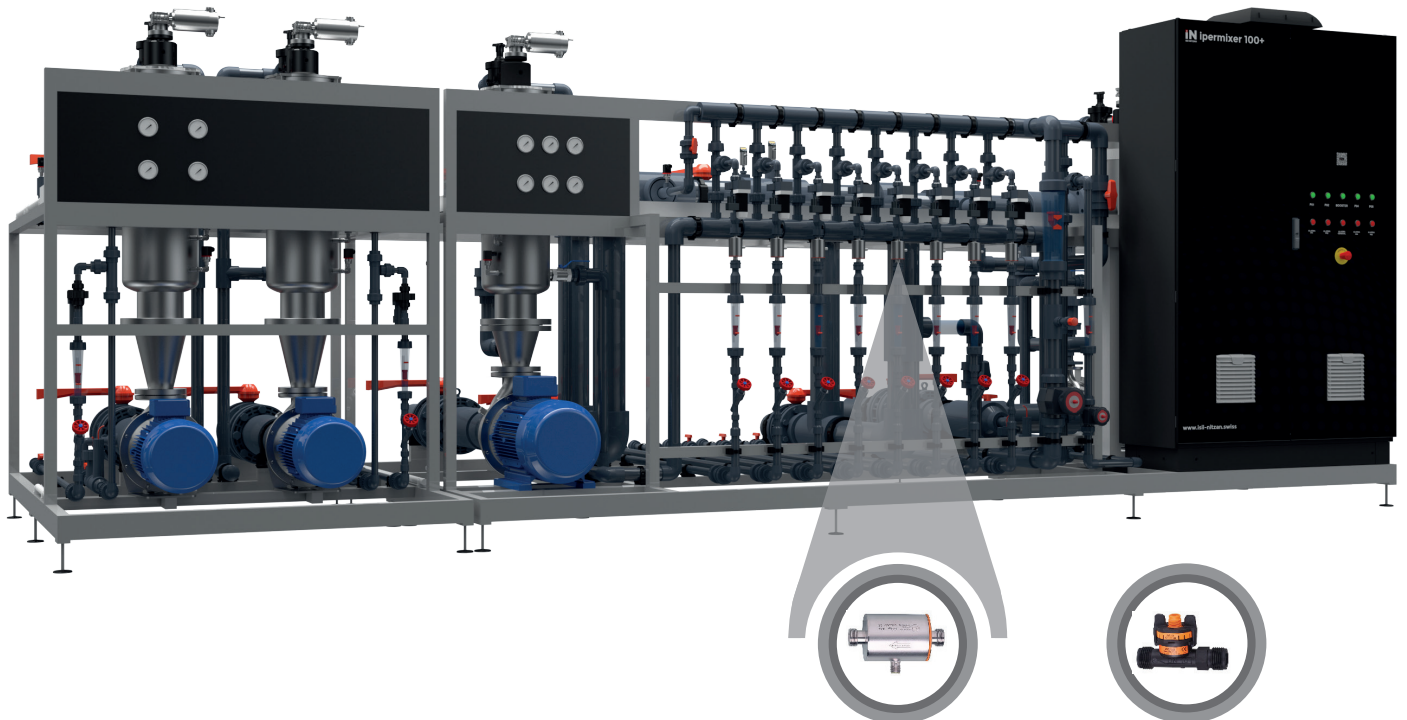
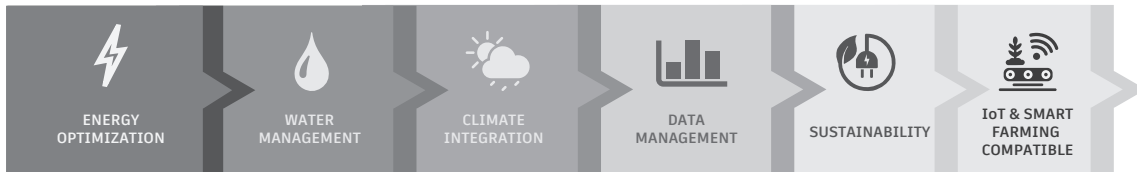
ITEM	DESCRIPTION	CAPACITY
1	MAXIMUM FLOW (P01, P02, P04, P05)	160 m3/h
2	FILTRARION RANGE	100 µm
3	PIPING IN/OUT	Ø DN 150

EQUIPMENT DESCRIPTION

ITEM	FEATURES
1	Built-in pre-treatment unit.
2	Independently controlled, 10-way automatic injection system.
3	Injection and regulation of fertilizers drive of a booster pump.
4	Control and monitoring of pH and EC.*
5	100% operational redundancy.
6	Injection system actuators. **
7	Automatic filtering system.
8	Pumps controlled by variable frequency drives.
9	Real-time recording of consumption through magnetic measurements.
10	Real-time computer control and monitoring.

*Optional 2 pH/EC sensor and 1 pH/EC sensor to raw water.

**Optional Pneumatic, 24 Vac, 24 Vdc.



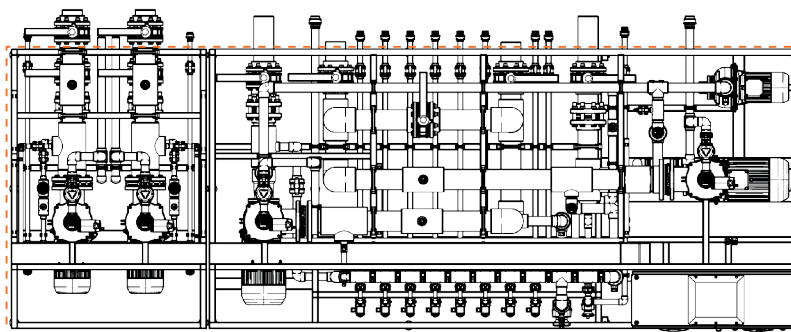
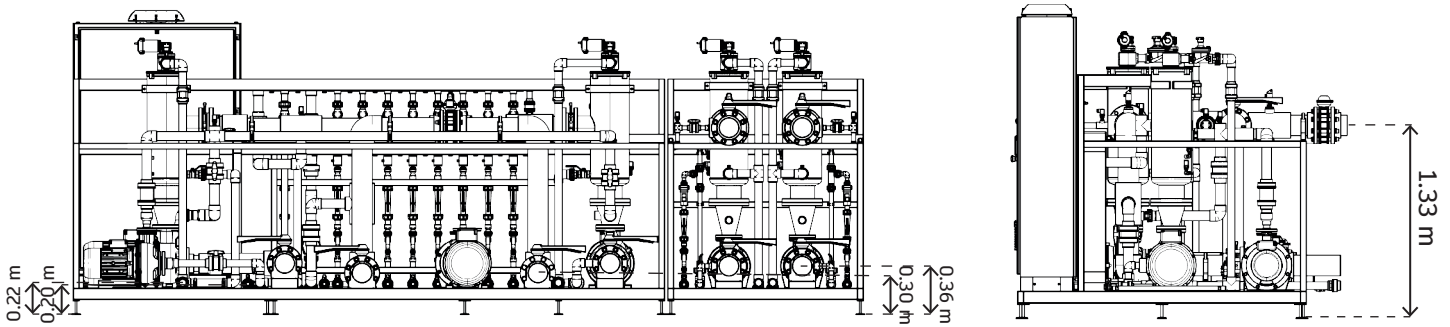
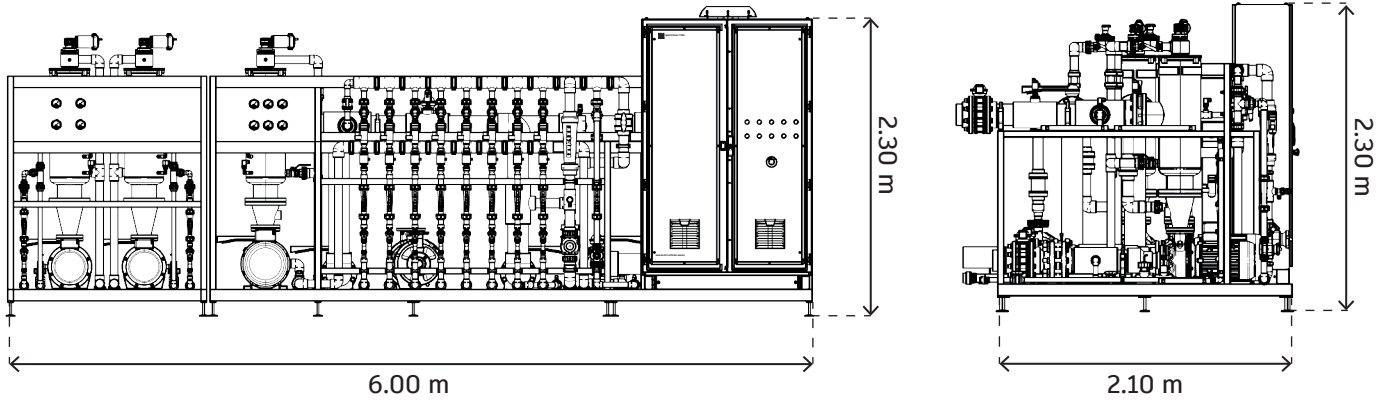
Magnetic Sensor
(Available with Display)

Vortex Sensor

All rights reserved by iSinitzan. Reproduction and distribution of any part of this document is prohibited.



DIMENSIONS & FOOTPRINT



Footprint: 12.6 m²

DIMENSIONS

LENGTH	HEIGHT	WIDTH
6,00 m	2,30 m	2,10 m
FOOT PRINT		12,6 m ²

Note:
 - All 3D file drawing (.step, .dwg) are available.
 - The prices shown in the price list are valid from August 2023. They may be modified according to changes in materials and manufacturing accessories.

All rights reserved by iSinitzan. Reproduction and distribution of any part of this document is prohibited.

iSii-Nitzan GmbH
 Via Cremignone 4C, Sorengo,
 Switzerland, CH 6924
 +(41) 765851837
 info@isii-nitzan.swiss
 www.isii-nitzan.swiss

More Information:



Versión: J2024-1