

### ELECTRICAL SPECIFICATION

ITEM	DESCRIPTION	CAPACITY
1	POWER SUPPLY*	220 VAC - 380 VAC - 440 VAC / 3P
2	ENERGY	101 kW (440 VAC)

\*More options on demand

### FLOW SPECIFICATION

ITEM	DESCRIPTION	CAPACITY
1	PUMP 01 - PREMIX	200 m <sup>3</sup> /h - 2,2 bar
2	PUMP 02 - DRIP	200 m <sup>3</sup> /h - 6 bar
3	PUMP 03 - BOOSTER	12 m <sup>3</sup> /h - 4,8 bar
4	PUMP 04 - CLEAN WATER	100 m <sup>3</sup> /h - 6 bar

### DOSING CHANNELS

ITEM	DESCRIPTION	CAPACITY
1	NUMBER OF DOSING CHANNELS	9
2	VENTURI	300 - 3000 lts/hr.

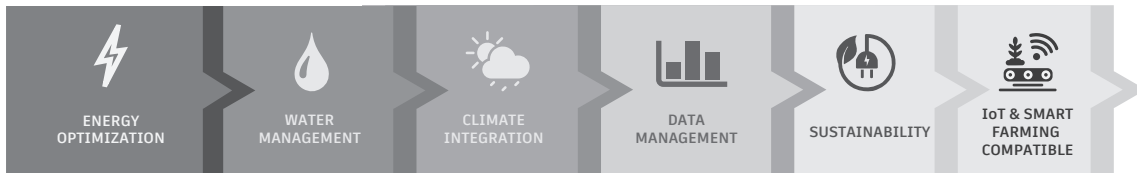
### AUTOMATIC FILTER

ITEM	DESCRIPTION	CAPACITY
1	MAXIMUM FLOW (P02)	200 m <sup>3</sup> /h
3	FILTRARION RANGE	100 µm
2	PIPING IN/OUT	Ø DN 150

### EQUIPMENT DESCRIPTION

ITEM	FEATURES
1	Mixing water with fertilizers under specific conditions.
2	It works in conjunction with an irrigation computer in charge of the control and management of irrigation parameters, crop drip valves and irrigation cycle strategies.
3	Control and monitoring of pH and EC.*
4	Fertilizer injection and regulation by booster pump.
5	Organic injection system.
6	Pumps controlled by variable frequency drives.
7	Real-time control and monitoring through HMI and PLC.
8	4 Filters with automatic backwashing: 2 premix, drip, clean water.

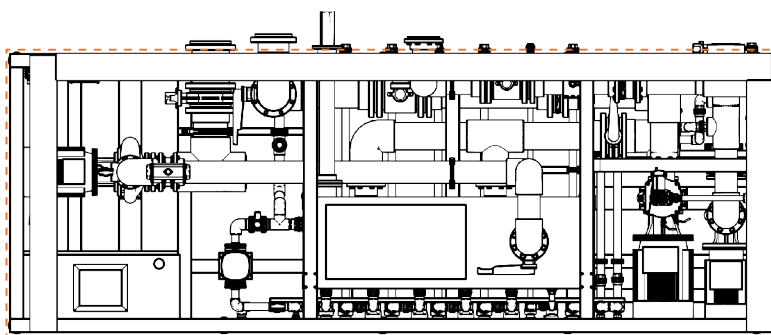
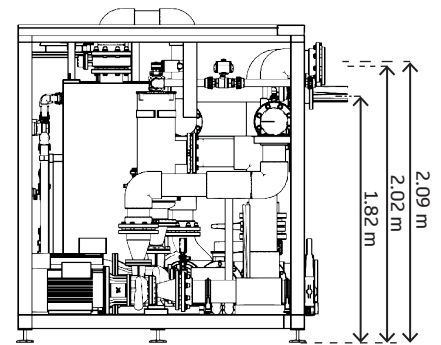
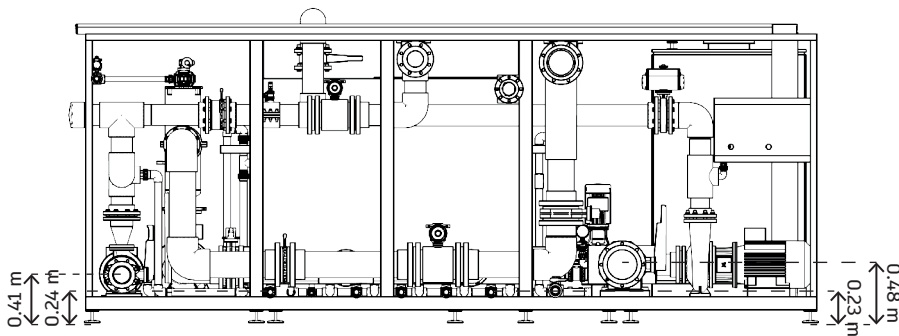
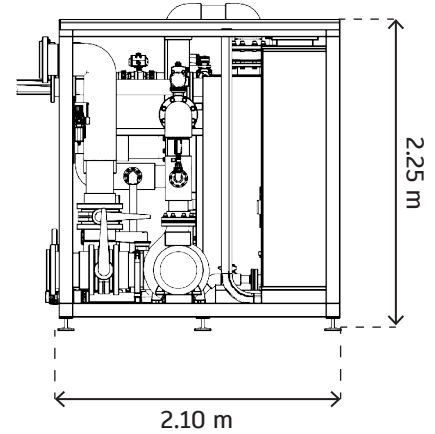
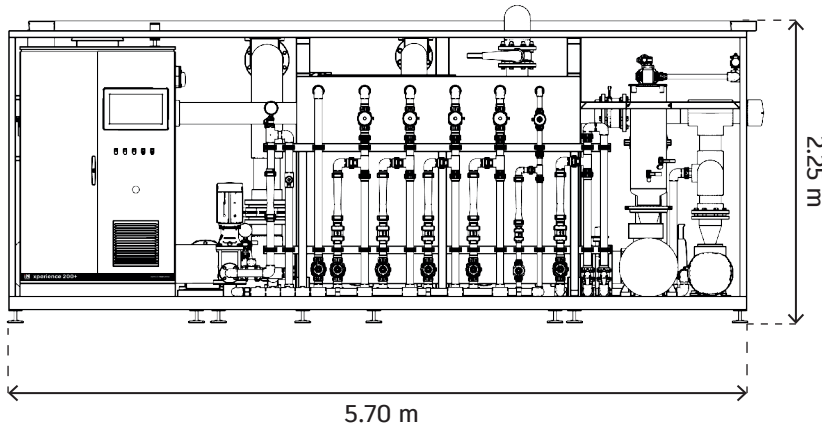
\*Optional use 2 pH/EC sensor.



All rights reserved by iSiiNitzan. Reproduction and distribution of any part of this document is prohibited.



## DIMENSIONS & FOOTPRINT



Footprint: 11.97 m<sup>2</sup>

DIMENSIONS		
LENGTH	HEIGHT	WIDTH
5,70 m	2,25 m	2,10 m
FOOT PRINT		11,97 m <sup>2</sup>

**Note:**  
 - All 3D file drawing (.step, .dwg) are available.  
 - The prices shown in the price list are valid from August 2023. They may be modified according to changes in materials and manufacturing accessories.

All rights reserved by iSinitzan. Reproduction and distribution of any part of this document is prohibited.

**iSii-Nitzan GmbH**  
 Via Cremignone 4C, Sorengo,  
 Switzerland, CH 6924  
 +(41) 765851837  
 info@isii-nitzan.swiss  
 www.isii-nitzan.swiss

More Information:



Versión: J2024-1