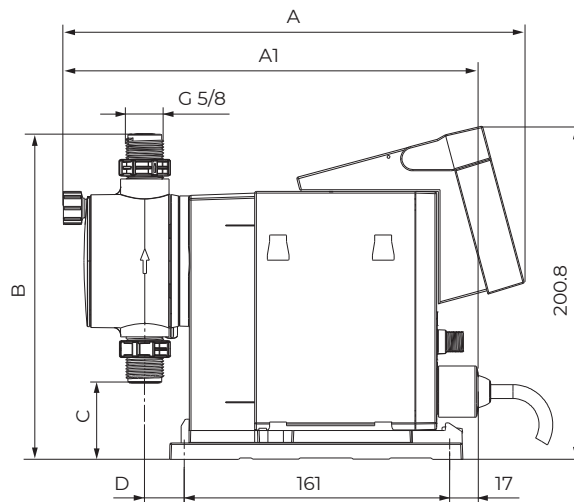
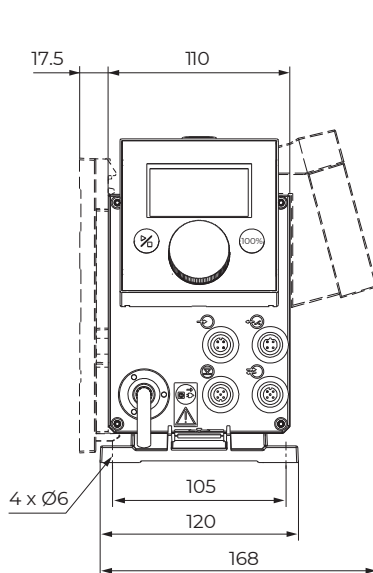


SMART DIGITAL S DDA AND DDC

ITEM TECHNICAL CHARACTERISTICS

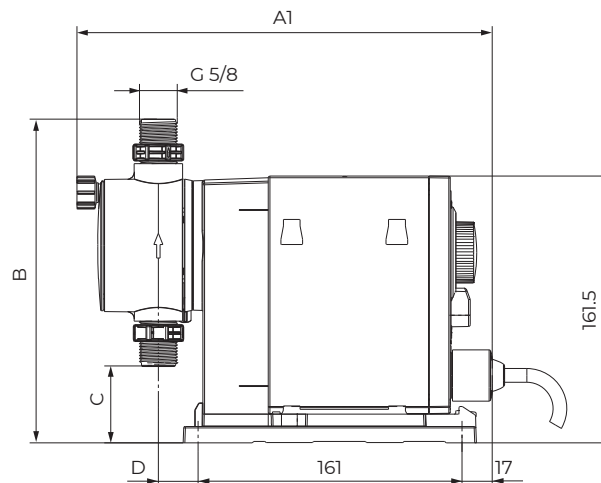
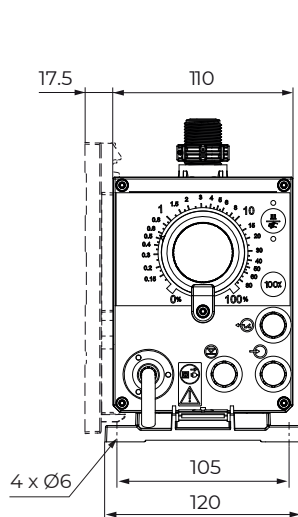
- 1 SELECTIVE FAULT DIAGNOSIS, PRESSURE MONITORING
- 2 INTEGRATED FLOW MEASUREMENT AND AUTOFLOW ADAPT
- 3 INTERNAL STROKE-SPEED AND FREQUENCY CONTROL
- 4 AUTO DEAERATION
- 5 E-BOX FOR PROFIBUS, ETHERNET OR MODBUS
- 6 MAX CAPACITY 30 l/h, 16 bar, 45° C (LIQUID TEMPERATURE)
- 7 MANUAL, PULSE, AND 0/4-20 mA CONTROL
- 8 POWER SUPPLY 100-240 V, 50/60 Hz



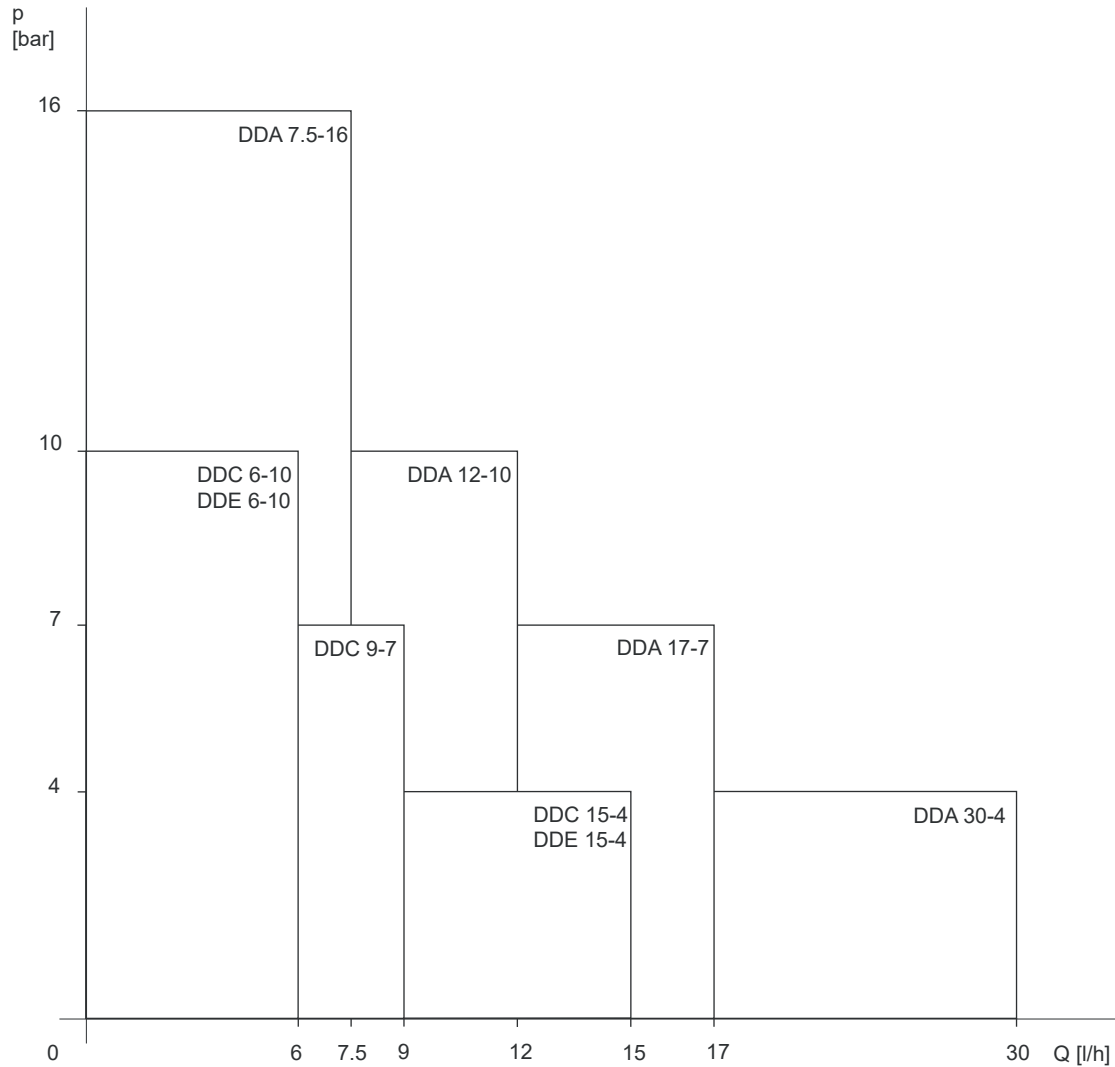
SMART DIGITAL S DDE

ITEM TECHNICAL CHARACTERISTICS

- 1 SMOOTH CONTINUOUS DOSING
- 2 ONLY TWO MODELS FROM 0.006 TO 15l/h
- 3 INTERNAL STROKE-SPEED AND FREQUENCY CONTROL WITH STEPPER MOTOR
- 4 CAPACITY ADJUSTING KNOB
- 5 FLEXIBLE MOUNTING PLATE
- 6 MANUAL CONTROL (0.1-100%), PULSE CONTROL (1:N)
- 7 MAX CAPACITY 15 l/h, 10 bar, 45°C (LIQUID TEMPERATURE)
- 8 EXTERNAL STOP AND EMPTY TANK INPUT
- 9 POWER SUPPLY 100-240 V, 50/60 Hz



PERFORMANCE RANGE

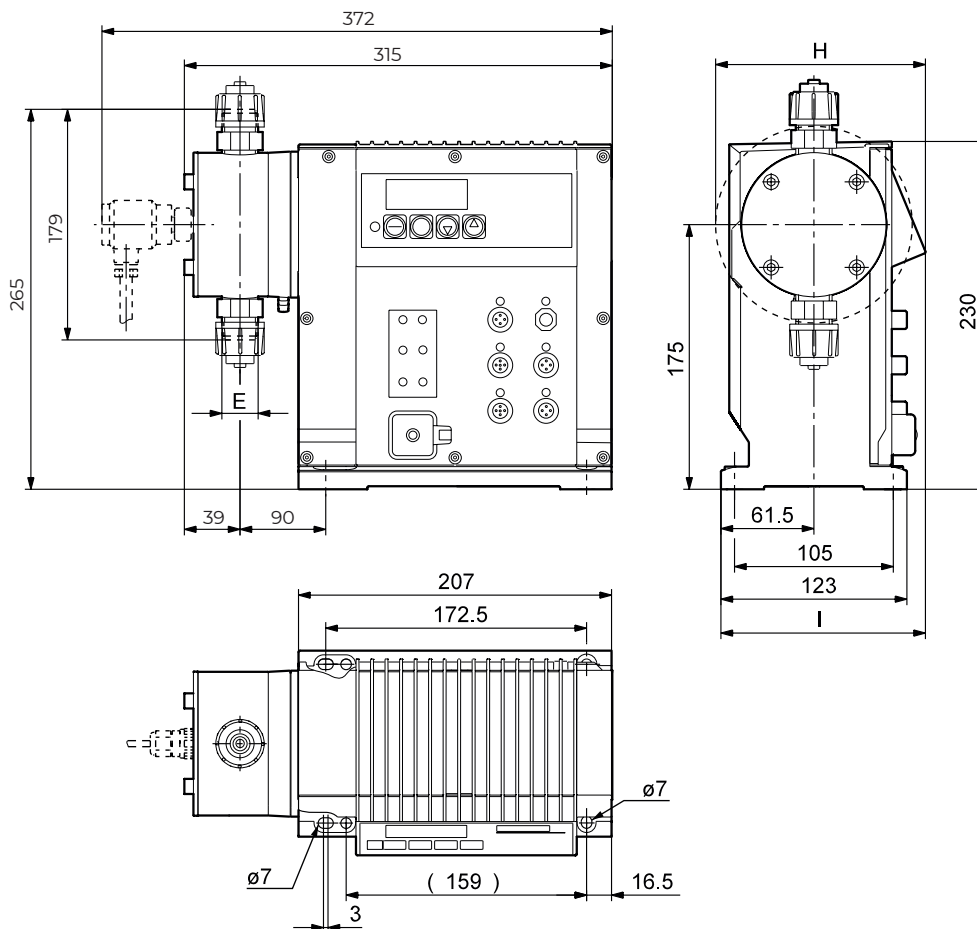


SMART DIGITAL DDI



ITEM TECHNICAL CHARACTERISTICS

- 1 ACCURATE DOSING DEMANDS MET WITH USER-FRIENDLY INTERFACE
- 2 SPACE-EFFICIENT UNITS WITH VERSATILE MATERIAL OPTIONS
- 3 POWERFUL STEPPER MOTOR ENSURES SMOOTH DOSING
- 4 ELIMINATES COMPLEX CALCULATIONS, SIMPLIFYING DOSING
- 5 ADJUSTS DOSING SPEED FOR CONSISTENT DELIVERY
- 6 INCLUDES SAFETY FEATURES LIKE OVERLOAD PROTECTION
- 7 ENSURES ACCURATE DOSING EVEN WITH VISCOUS MEDIA
- 8 WORKS WORLDWIDE WITH VOLTAGE RANGE OF 100-240VAC



All rights reserved by iSinitzan. Reproduction and distribution of any part of this document is prohibited.

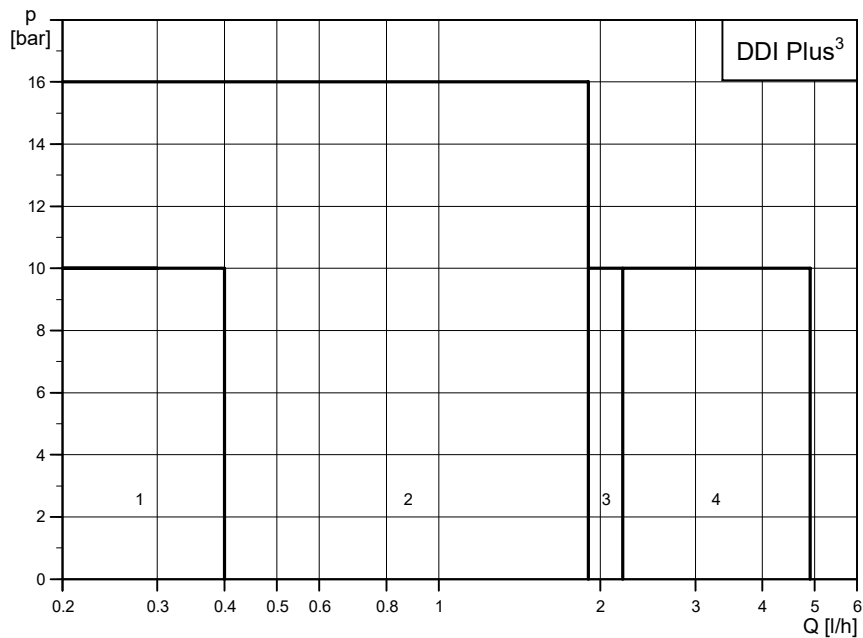
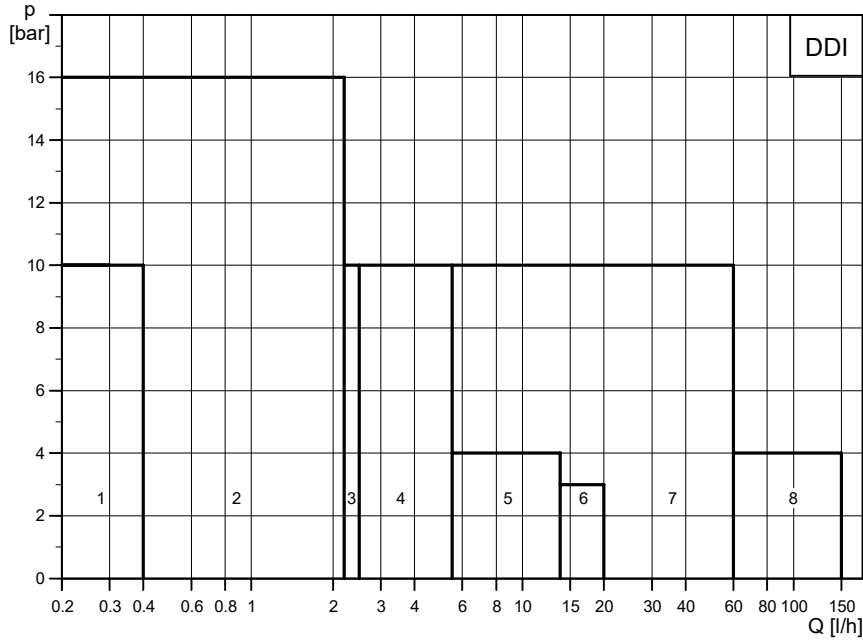
iSii-Nitzan GmbH
 Via Cremignone 4C, Sorengo,
 Switzerland, CH 6924
 +(41) 765851837
 info@isii-nitzan.swiss
 www.isii-nitzan.swiss

More Information:



Versión: J2024-1

PERFORMANCE RANGE



All rights reserved by iSiiNitzan. Reproduction and distribution of any part of this document is prohibited.

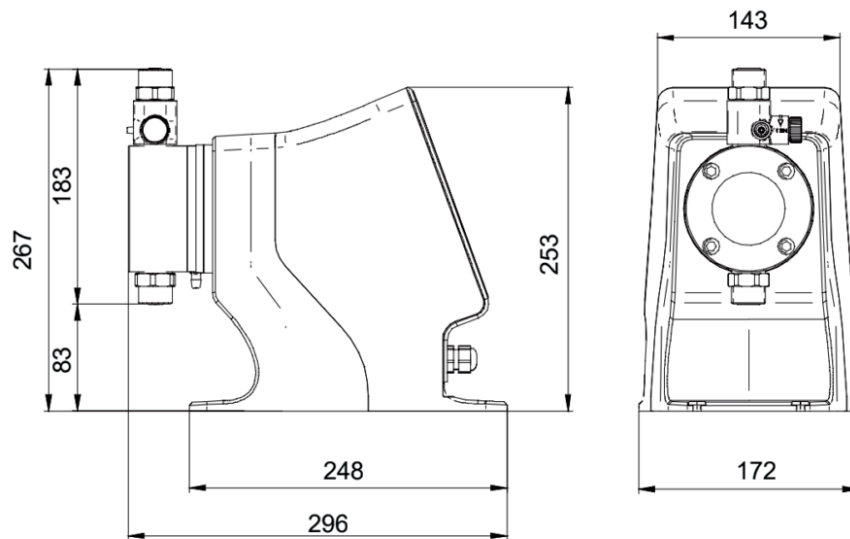


DIAPHRAGM DOSING PUMP

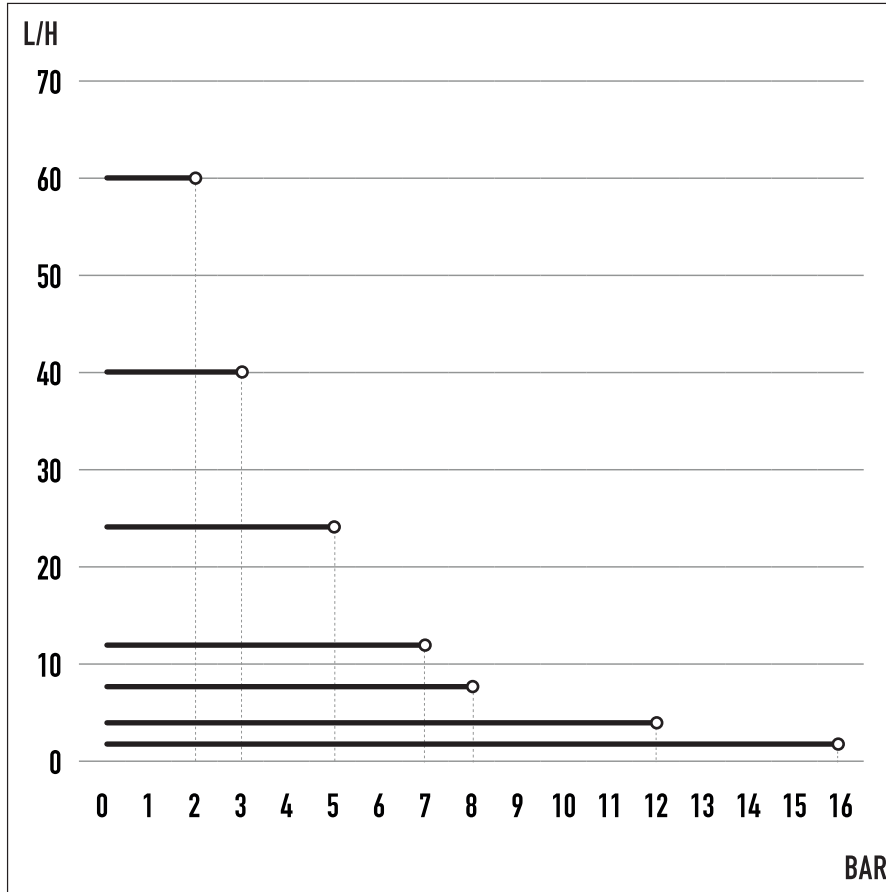


ITEM THECNICAL CHARACTEISTICS

- 1 ANALOG INPUT 0/4-20mA
- 2 EXTERNAL PULSE INPUT
- 3 LEVEL SENSOR INPUT
- 4 LEAKAGE DETECTOR INPUT
- 5 4-20mA OUTPUT FOR REGISTERING AND MONITORING
- 6 PULSE OUTPUT FOR REGISTERING
- 7 APP AVAILABLE WHICH ALLOWS TO MONITOR AND CONTROL THE UNIT REMOTELY
- 8 ALARM OUTPUT
- 9 LEVEL ALARM OUTPUT



PERFORMANCE RANGE



| ART.CODE | FLOW l/h | PRESSURE bar | TURNDOWN RATIO | STROKE | STROKES/min |
|----------|----------|--------------|----------------|--------|-------------|
| S50-D50 | 1.5 | 16 | 1:3000 | 2 | 50 |
| F50-D50 | 4 | 12 | 1:3000 | 2 | 95 |
| F30-D50 | 8 | 8 | 1:3000 | 2 | 150 |
| F50-D69 | 12 | 7 | 1:3000 | 2 | 85 |
| F30-D69 | 24 | 5 | 1:3000 | 2 | 164 |
| F41-D69 | 40 | 3 | 1:3000 | 4.5 | 113 |
| F31-D69 | 60 | 2 | 1:3000 | 4.5 | 164 |

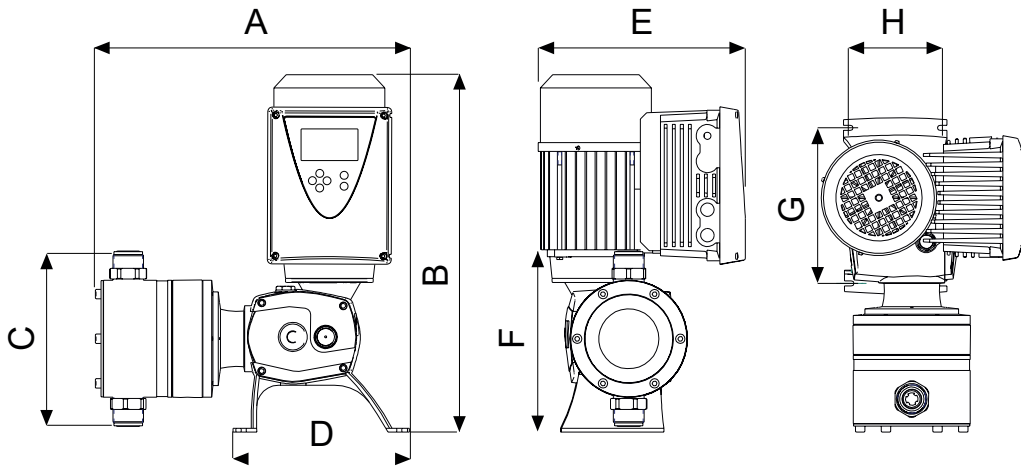


DOSTEC AC



ITEM THECNICAL CHARACTERISTICS

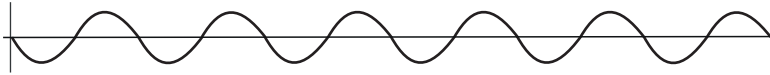
- 1 ADVANCED DOSING CONTROL FOR AN ACURRATE AND EFFICIENT AUTOMATIC REGULATION
- 2 SEVERAL CONFIGURATION MODES TO BE REMOTELY CONTROLLED
- 3 LOW PULSATION DISCHARGE FUNCTION FOR A CONTINUOUS FLOW
- 4 SLOW SUCTION FUNCTION FOR HIGH VISCOSITY PRODUCTS
- 5 LOW FLOW FUNCTION
- 6 ANALOGUE CONTROL 0/4-20mA
- 7 PROPORTIONAL PULSE CONTROL
- 8 POWER SUPPLY 110/230 V 50/60 Hz



| ART.CODE | A | B | C | D | E | F | G | H |
|----------|-----|-----|-----|-----|-----|-----|-----|-----|
| AC3 | 429 | 490 | 230 | 241 | 285 | 210 | 212 | 122 |
| AC2/1 | 306 | 400 | 154 | 180 | 270 | 150 | 155 | 90 |
| D163 | 395 | 490 | 270 | 241 | 285 | 210 | 212 | 122 |
| D142 | 394 | 490 | 250 | 241 | 285 | 210 | 212 | 122 |
| D115 | 270 | 400 | 204 | 180 | 270 | 150 | 155 | 90 |
| D95 | 270 | 400 | 184 | 180 | 270 | 150 | 155 | 90 |
| D69 | 274 | 400 | 154 | 180 | 270 | 150 | 155 | 90 |



PERFORMANCE RANGE



STANDAR DOSING GRAPHIC



LOW PULSATION DISCHARGE



SLOW SUCTION



LOW FLOW

| ART.CODE | FLOW L/H | PRESSURE BAR |
|-------------------|----------|--------------|
| 73-AC3D-44-D163-X | 1044 | 5 |
| 73-AC3D43-D142-X | 498 | 10 |
| 73-AC3D42-D142-X | 373 | 10 |
| 73-AC2D43-D115-M | 301 | 5 |
| 73-AC2D42-D115-M | 251 | 5 |
| 73-AC3D33-D142-X | 249 | 10 |
| 73-AC2D43-D95-M | 173 | 8 |
| 73-AC2D42-D95-M | 144 | 8 |
| 73-AC2D43-D69-M | 83 | 10 |
| 73-AC2D42-D69-M | 68 | 10 |
| 73-AC2D41-D69-L | 38 | 15 |
| 73-AC2D31-D69-L | 19 | 15 |
| 73-AC2D21-D69-L | 11.4 | 15 |
| 73-AC2D11-D69-L | 6.5 | 15 |

| ART.CODE | FLOW L/H | PRESSURE BAR |
|------------------|----------|--------------|
| 73-AC3P44-P110-X | 1200 | 5.5 |
| 73-AC3P44-P95-X | 900 | 7.5 |
| 73-AC3P44-P77-X | 600 | 11 |
| 73-AC2P44-P77-M | 600 | 4.5 |
| 73-AC3P43-P77-M | 400 | 12 |
| 73-AC2P44-P61-M | 360 | 7 |
| 73-AC2P44-P49-M | 240 | 11 |
| 73-AC2P44-P34-M | 120 | 15 |
| 73-AC2P44-P24-M | 60 | 15 |
| 73-AC2P34-P24-L | 30 | 15 |
| 73-AC2P33-P24-L | 15 | 15 |
| 73-AC2P14-P24-L | 10.5 | 15 |
| 73-AC2P13-P24-L | 6 | 15 |
| 73-AC2P11-P24-L | 3 | 15 |

