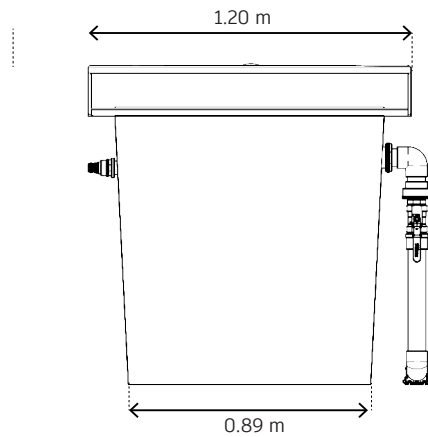
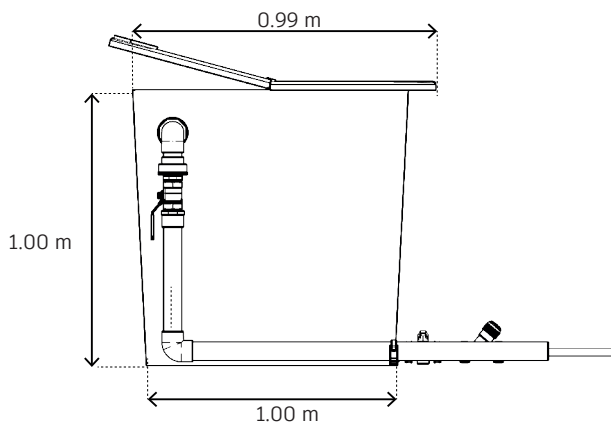
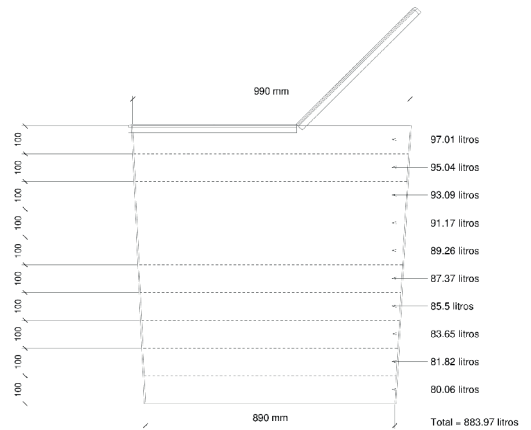


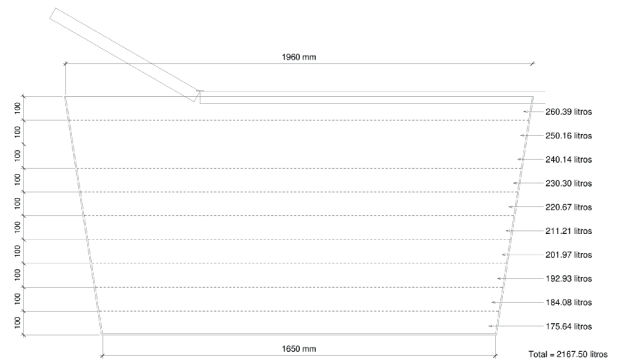
## TANK - 1000 LITERS

TANK - 1000 L				
ITEM	DESCRIPTION	FEATURES	CONTROL	CAPACITY
1	PRFV Tank. Reinforced polyester with Glass Fiber (3 Gel Coat Layers and 3 Glass Fiber Layers)	- Chemical Resistance. - Abrasion Resistance.	Level control system and alarm in each tank	1000 liters
2	Manual Valve 2"	2"	Manual Tanks Filling	N/A
3	Manual Valve 32mm	32mm	Manual Tanks Discharge	N/A



## TANK - 2000 LITERS

TANK - 2000 L				
ITEM	DESCRIPTION	FEATURES	CONTROL	CAPACITY
1	PRFV Tank. Reinforced polyester with Glass Fiber (3 Gel Coat Layers and 3 Glass Fiber Layers)	- Chemical Resistance. - Abrasion Resistance.	Level control system and alarm in each tank	2000 liters
2	Manual Valve 2"	2 "	Manual Tanks Filling	N/A
3	Manual Valve 32mm	32mm	Manual Tanks Discharge	N/A



TANK VOLUMETRY 2000 LTS.

