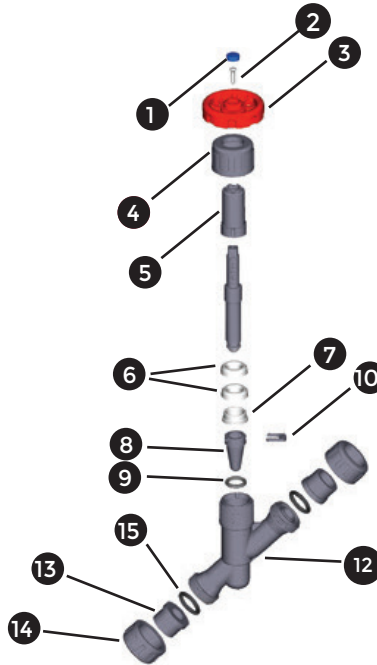
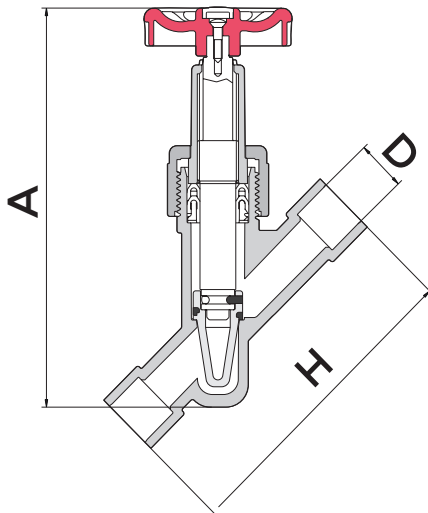


ANGLE SEAT VALVE



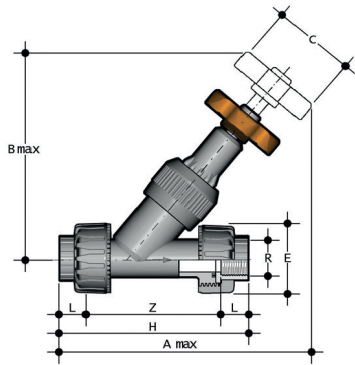
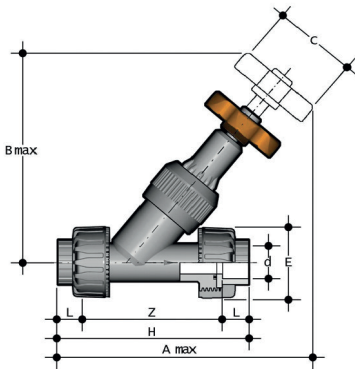
ITEM	COMPONENT
1	PLUG
2	BOLT
3	HANDWHEEL
4	BONNETNUT
5	BONNET
6	SEALING RINGS
7	SEALING STOP
8	CONICAL SEAT
9	SEALING GASKET
10	SAFETY PIN
11	STEM
12	BODY
13	END CONNECTOR
14	UNION NUT
15	O-RING



ART. CODE	d	DN	PN	H	A
575020	20	15	16	124	158
575120	20	15	16	164	158
575220	20	15	16	124	158
575425	3/4"	15	16	124	158

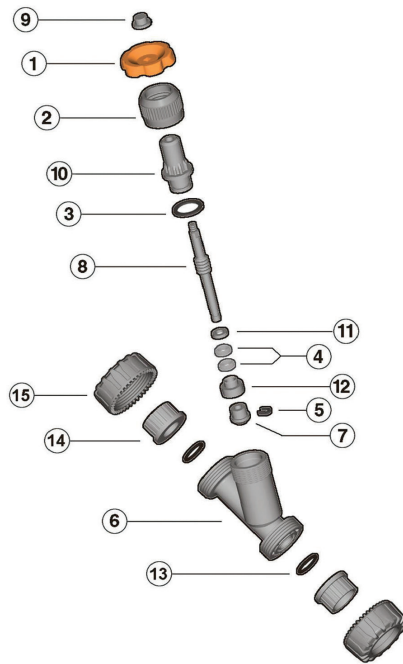


ANGLE SEAT VALVE



ART. CODE	D	DN	PN	A MAX	B MAX	C	E	H	L	Z	g
VVUIV016E	16	10	16	170	124	60	55	135	14	107	238
VVUIV020E	20	15	16	173	124	60	55	135	16	1030	251
VVUIV025E	25	20	16	197	146	60	66	158	19	120	413
VVUIV032E	32	25	16	223	173	70	75	176	22	132	621
VVUIV040E	40	32	16	258	195	85	87	207	26	155	903
VVUIV050E	50	40	16	295	222	105	100	243	31	181	1320
VVUIV063E	63	50	16	359	269	130	120	298	38	222	2238

ART. CODE	R	DN	PN	A MAX	B MAX	C	E	H	L	Z	g
VVUFV038E	3/8"	10	16	170	124	60	55	135	11,4	112,2	238
VVUFV012E	1/2"	15	16	173	124	60	55	143	15	113	251
VVUFV034E	3/4"	20	16	197	146	60	66	160	16,3	127,4	413
VVUFV100E	1"	25	10	223	173	70	75	183	19,1	144,8	621
VVUFV114E	1 1/4"	32	10	258	195	85	87	214	21,4	171,2	903
VVUFV112E	1 1/2"	40	10	295	222	105	100	235	21,4	192,2	1320
VVUFV200E	2"	50	10	359	269	130	120	285	25,7	233,6	2238

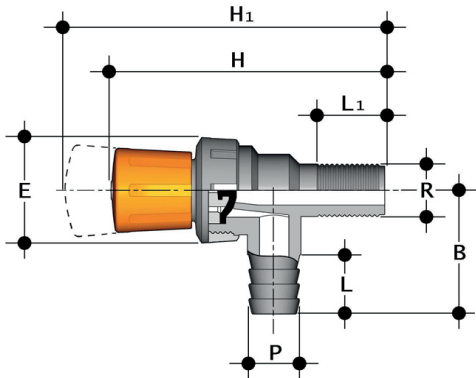


ITEM	COMPONENT
1	HANDWHEEL (PVC-U -1)
2	UNION NUT (PVC-U -1)
3	O-RING (EPDM-FKM -1)
4	GLAND PACKING (PE-PTFE-2)
5	LOCKING CLIP (PVC-U -1)
6	BODY (PVC-U -1)
7	SHUTTER (PVC-U -1)
8	STEM (PVC-U -1)
9	NUT (PVC-U -1)
10	BONNET (PVC-U -1)
11	NOTTOM SLEEVE (PVC-U -1)
12	GLAND (PVC-U -1)
13	SOCKET SEAL O-RING (EPDM-FKM- 2)
14	END CONNECTOR (PVC-U -2)
15	UNION NUT (PVC-U -2)

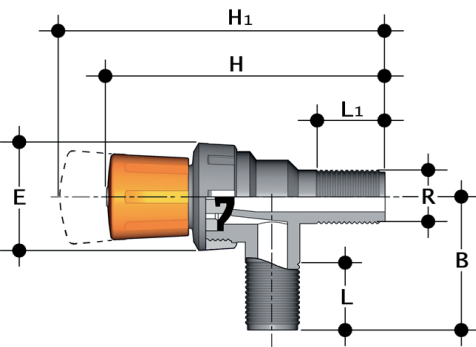
All rights reserved by iSiiNitzan. Reproduction and distribution of any part of this document is prohibited.



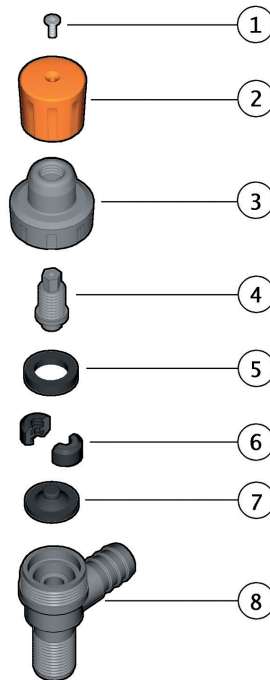
DIAPHRAGM COCK VALVE



ART. CODE	R	DN	PN	P	B	E	H	H1	L	L1	g
RMRPV012020E	1/2"	15	4	20	50	43	110	119	24	29	90



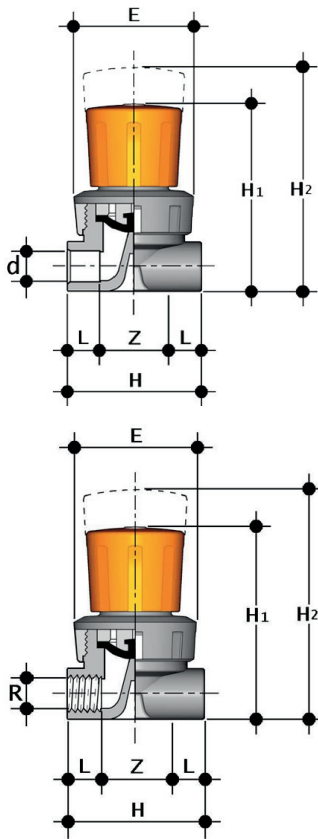
ART. CODE	R	DN	PN	B	E	H	H1	L	L1	g
RMRV012E	1/2"	15	4	50	43	110	119	16	28	90



ITEM	COMPONENT
1	SCREW (STAINLESS STEEL - 1)
2	HANDWHEEL (PVC-U - 1)
3	BONNET (PVC-U - 1)
4	STEM (PVC-U - 1)
5	SLEEVE (PVC-U - 1)
6	SPLIT COUPLINGS (POM - 2)
7	DIAPHRAGM (EPDM - 1)
8	BPDY (PVC-U - 1)

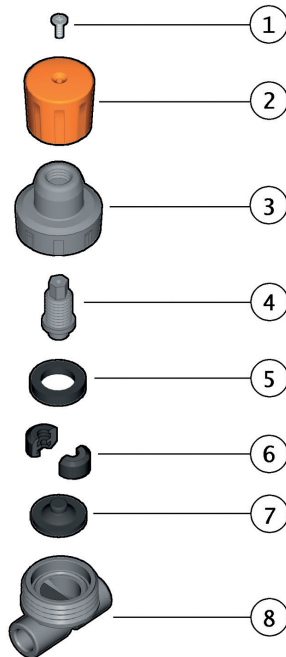


MINI DIAPHRAGM VALVE



ART. CODE	d	DN	PN	E	H	H1	H2	L	Z	g
VMIV012E	12	8	10	43	48	72	81	12	24	70

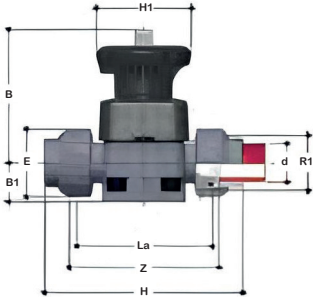
ART. CODE	R	DN	PN	E	H	H1	H2	L	Z	g
VMFV014E	1/4"	8	10	43	48	72	81	10,5	27	70



ITEM	COMPONENT
1	SCREW (STAINLESS STEEL- 1)
2	HANDWHEEL (PVC-U - 1)
3	BONNET (PVC-U - 1)
4	STEM (PVC-U - 1)
5	SLEEVE (PVC-U - 1)
6	SPLIT COUPLINGS (POM -2)
7	DIAPHRAGM (EPDM - 1)
8	BPDY (PVC-U - 1)

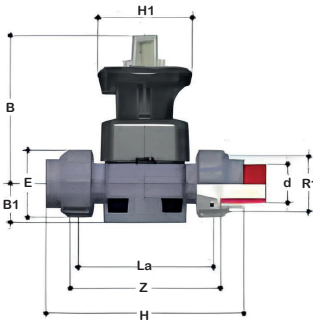


DIALOCK® - DIAPHRAGM VALVE



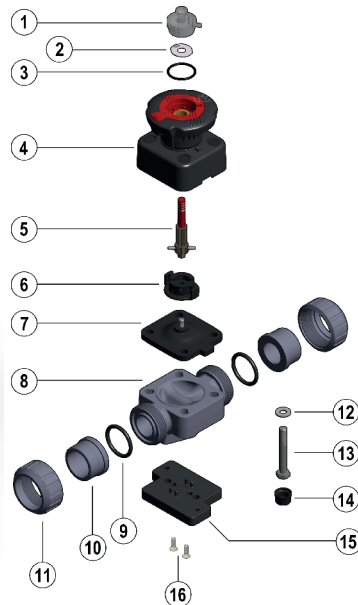
ART. CODE	d	DN	PN	B	B1	E	H	H1	La	R1	Z	g
DKUIM020E	20	15	10	102	25	41	129	80	90	1"	100	457
DKUIM025E	25	20	10	105	30	50	154	80	108	1" 1/4	116	500
DKUIM032E	32	25	10	114	33	58	168	80	116	1" 1/2	124	695
DKUIM040E	40	32	10	119	30	72	192	80	134	2"	140	781
DKUIM050E	50	40	10	149	35	79	222	120	154	2" 1/4	160	1557
DKUIM063E	63	50	10	172	46	98	266	120	184	2" 3/4	190	2293

DKUIM DIAPHRAGM VALVE WITH FEMALE UNION ENDS FOR SOCKET WELDING, METRIC SERIES.



ART. CODE	d	DN	PN	B	B1	E	H	H1	La	R1	Z	g
DKLUIM020E	20	15	10	115	25	41	129	80	90	1"	100	487
DKLUIM025E	25	20	10	118	30	50	154	80	108	1" 1/4	116	530
DKLUIM032E	32	25	10	127	33	58	168	80	116	1" 1/2	124	725
DKLUIM040E	40	32	10	132	30	72	192	80	134	2"	140	811
DKLUIM050E	50	40	10	175	35	79	222	120	154	2" 1/4	160	1617
DKLUIM063E	63	50	10	200	46	98	266	120	184	2" 3/4	190	2353

DKLUIM DIAPHRAGM VALVE WITH STROKE LIMITER AND FEMALE UNION ENDS FOR SOCKET WELDING, METRIC SERIES.

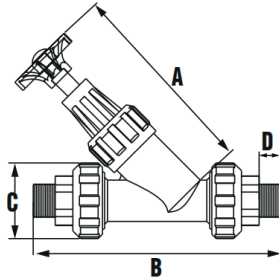


COMPONENT

1	TRANSPARENT PROTECTION CAP (PVC - 1)
2	CUSTOMIZATION PLATE (PVC-U - 1)
3	O-RING (EPDM - 1)
4	OPERATING MECHANISM (PP-GR / PVDF - 1)
5	THREADED STEM - INDICATOR (STAINLESS STEEL - 1)
6	COMPRESSOR (PA-GR IXEF® - 1)
7	DIAPHRAGM SEAL (EPDM, FKM, PTFE - 1)
8	VALVE BODY (PP-H - 1)*
9	SOCKET SEAL O-RING (EPDM-FKM - 2)
10	END CONNECTOR (PP-H-U - 2)
11	UNION NUT (PP-H - 2)
12	WASHER (STAINLESS STEEL - 4)
13	BOLT (STAINLESS STEEL - 4)
14	PROTECTION PLUG (PE - 4)
15	DISTANCE PLATE (PP-GR - 1)
16	SCREW (STAINLESS STEEL - 2)

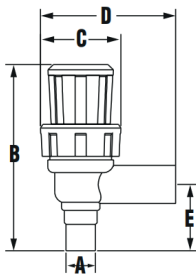


SEAT VALVE



CODE	DN	d	WT (g)	A	B	C	D
21011	15	20	251	146	138	52	16
21012	20	25	380	173	162	59	19
21013	25	32	565	195	181	69	22

COCK VALVE



CODE	DN	d	WT (g)	A	B	C	D	E
21111	20	15	92	16	100	43	74	36

