



STANDARD DRY 20' [20'x8'x8,6']

STANDARD DRY 40' [40'x8'x8,6']

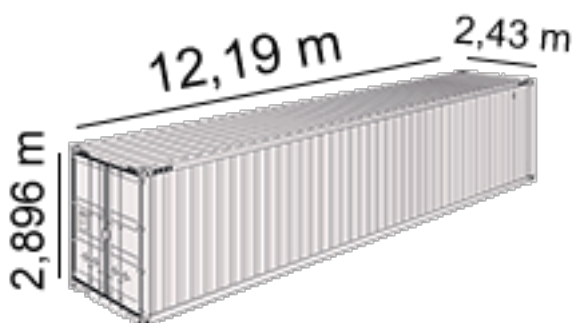
STANDARD DRY			20' [20'x8'x8,6']	40' [40'x8'x8,6']
Capacity	Volume [m3]		31,1	67,7
	Max. Load Weight [kg]		22,000	26,000
	Tare [kg]		2,250	3,800
	Max. Gross Weight [kg]		30,48	30,480
Dimensions	External	Length [m]	6,06	12,192
		Width [m]	2,43	2,43
		Height [m]	2,59	2,59
	Inner	Length [m]	5,89	12,03
		Width [m]	2,35	2,35
		Height [m]	2,38	2,39
	Door	Length [m]	2,27	2,27
		Width [mm]	2,43	2,34
	Roof	Width [mm]	2,34	2,340
Length [mm]		2,280	2,280	

All rights reserved by iSiinitzan. Reproduction and distribution of any part of this document is prohibited.





HIGH CUBE 20'



HIGH CUBE DRY 40'

		HIGH CUBE		
		20'	DRY 40'	
Capacity	Volume [m3]	31,1	76,3	
	Max. Load Weight [kg]	22,000	28,500	
	Tare [kg]	2,250	3,970	
	Max. Gross Weight [kg]	30,480	30,480	
Dimensions	External	Length [m]	6,06	12,19
		Width [m]	2,43	2,43
		Height [m]	2,89	2,89
	Inner	Length [m]	5,89	12,03
		Width [m]	2,35	2,35
		Height [m]	2,695	2,69
	Door	Length [mm]	2,551	2,58
		Width [m]	2,434	2,34
	Roof	Width [mm]	2,340	2,340
Length [mm]		2,690	2,280	

All rights reserved by iSiiNitzan. Reproduction and distribution of any part of this document is prohibited.

