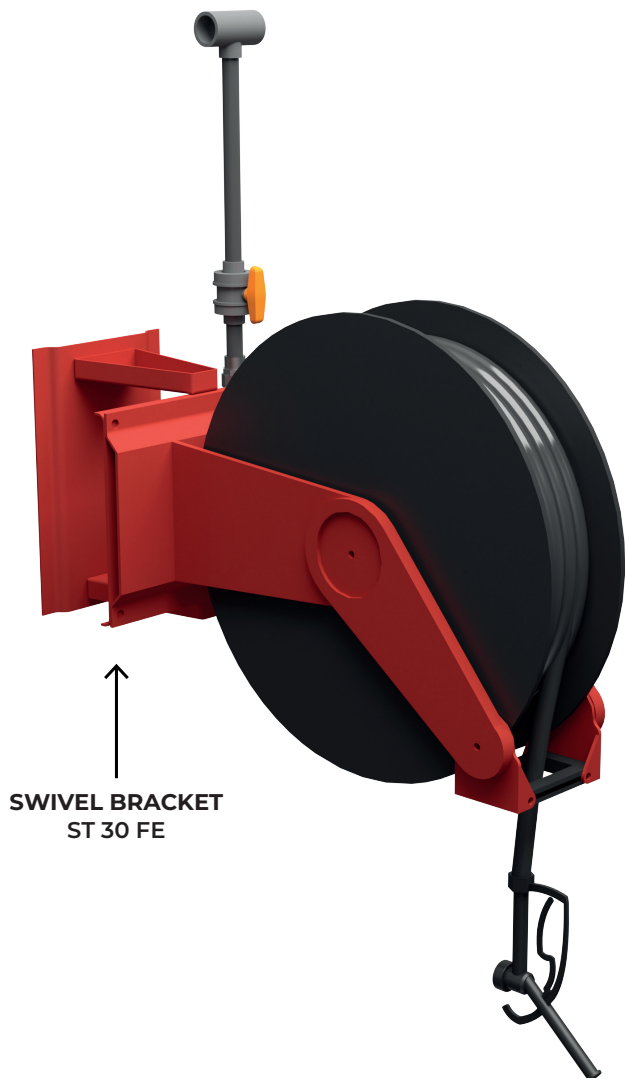


CODE:  
HR 3502 AD

## HOSE REEL SIP



↑  
SWIVEL BRACKET  
ST 30 FE

TECHNICAL SPECIFICATIONS		
ITEM	DESCRIPTION	CAPACITY
1	MATERIAL	Powder coating steel
2	DIAMETERS	3/4"
3	MAX HOSE LENGTH	25 mt (3/4")
4	MAX. WORKING PRESS.	20 bar
5	SWIVEL BRACKET	ST 30 FE

**FIELDS OF APPLICATION**

### GUN - 5909



Black colour high resistance plastic water gun with rotating hose tail dia. 20 mm (in plastic).  
\*With Trigger Lock

### ACCESSORIES



ART. CODE DESCRIPTION  
4914 NIPPLE 3/4"



ART. CODE DESCRIPTION  
4941 HOSE BUMPER 3/4"

TECHNICAL SPECIFICATIONS		
ITEM	DESCRIPTION	CAPACITY
1	TOTAL LENGTH	About 350mm.
2	SEALING	NBR
3	MAX. TEMPERATURE	50 °C
4	FLOW RATE	120 lt/min
5	INNER PARTS	PP+FG+Galvanized Steel
6	OUTLET PIPE DIA.	29 mm

All rights reserved by iSiNitzan. Reproduction and distribution of any part of this document is prohibited.

