

### ELECTRICAL SPECIFICATION

ITEM	DESCRIPTION	CAPACITY
1	POWER SUPPLY*	220 VAC - 380 VAC - 440 VAC / 3P
2	ENERGY	101 kW (440 VAC)

\*More options on demand

### FLOW SPECIFICATION

ITEM	DESCRIPTION	CAPACITY
1	PUMP 01 - PREMIX	200 m <sup>3</sup> /h - 2,2 bar
2	PUMP 02 - DRIP	200 m <sup>3</sup> /h - 5 bar
3	PUMP 03 - BOOSTER	12 m <sup>3</sup> /h - 4,8 bar
4	PUMP 04 - CLEAN WATER	150 m <sup>3</sup> /h - 5 bar

### DOSING CHANNELS

ITEM	DESCRIPTION	CAPACITY
1	NUMBER OF DOSING CHANNELS*	8
2	VENTURI	300 - 3000 lts/hr.

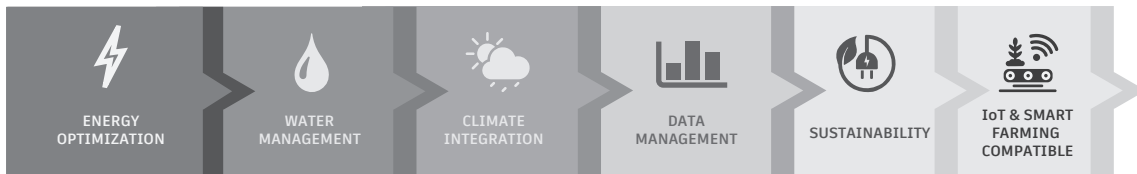
### AUTOMATIC FILTER

ITEM	DESCRIPTION	CAPACITY
1	MAXIMUM FLOW (P01, P02 & P04)	200 m <sup>3</sup> /h
2	FILTRARION RANGE	100 μm
3	PIPING IN/OUT	Ø DN 150

### EQUIPMENT DESCRIPTION

ITEM	FEATURES
1	Mixing water with fertilizers under specific conditions.
2	It works in conjunction with an irrigation computer in charge of the control and management of irrigation parameters, crop drip valves and irrigation cycle strategies.
3	Control and monitoring of pH and EC.*
4	Fertilizer injection and regulation by booster pump.
5	Organic injection system.
6	Pumps controlled by variable frequency drives.
7	Real-time control and monitoring through HMI and PLC.
8	4 Filters with automatic backwashing: 2 premix, drip, clean water.

\*Optional use 2 pH/EC sensor.



All rights reserved by iSiiNitzan. Reproduction and distribution of any part of this document is prohibited.

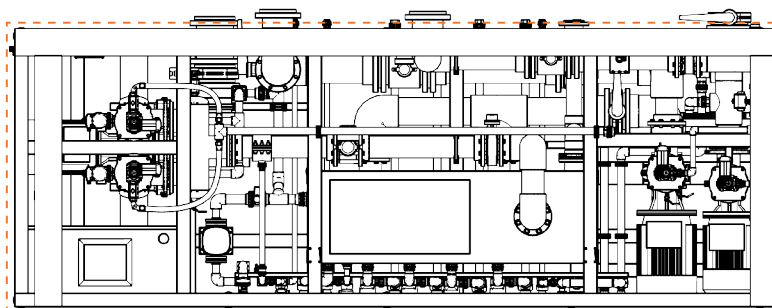
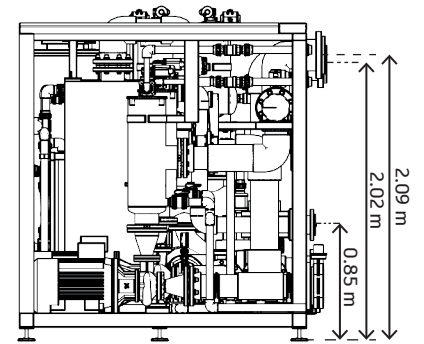
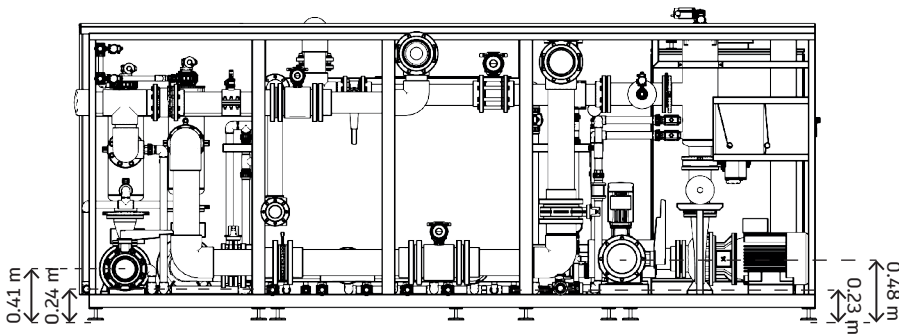
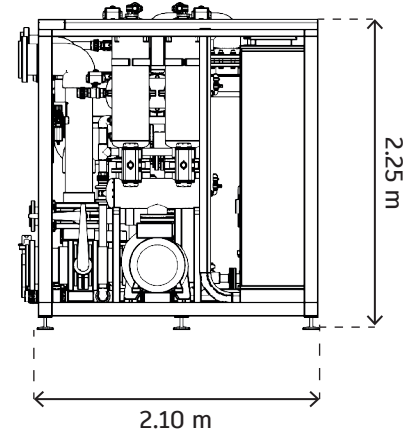
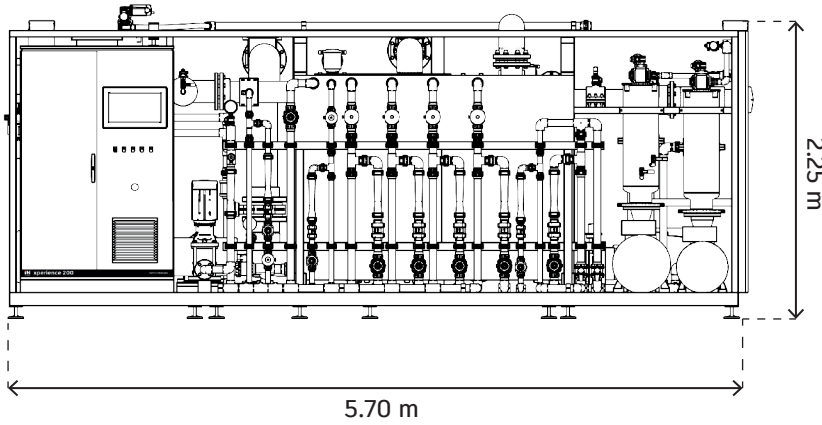
**iSii-Nitzan GmbH**  
 Via Cremignone 4C, Sorengo,  
 Switzerland, CH 6924  
 +(41) 765851837  
 info@isii-nitzan.swiss  
 www.isii-nitzan.swiss

More Information:



Versión: J2024-1

**DIMENSIONS & FOOTPRINT**



Footprint: 11.97 m<sup>2</sup>

**Note:**  
- All 3D file drawing (.step, .dwg) are available.  
- The prices shown in the price list are valid from August 2023. They may be modified according to changes in materials and manufacturing accessories.

DIMENSIONS		
LENGTH	HEIGHT	WIDTH
5,70 m	2,25 m	2,10 m
FOOT PRINT		11,97 m <sup>2</sup>

All rights reserved by iSinitzan. Reproduction and distribution of any part of this document is prohibited.

**iSii-Nitzan GmbH**  
Via Cremignone 4C, Sorengo,  
Switzerland, CH 6924  
+(41) 765851837  
info@isii-nitzan.swiss  
www.isii-nitzan.swiss

More Information:



Versión: J2024-1