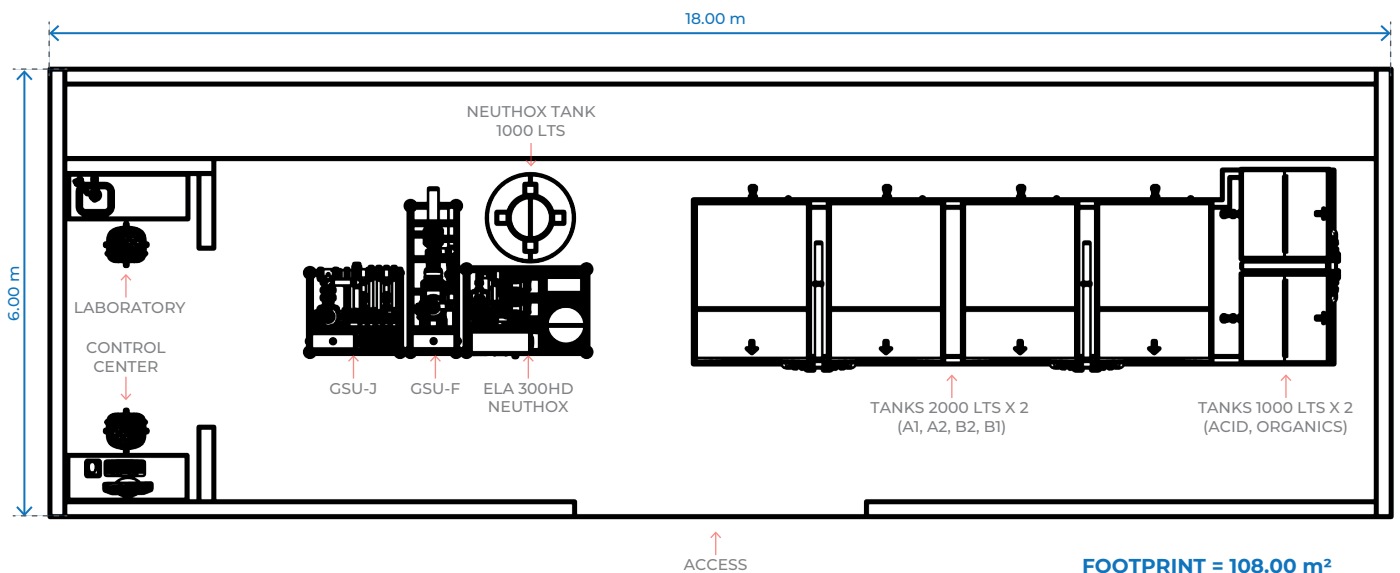
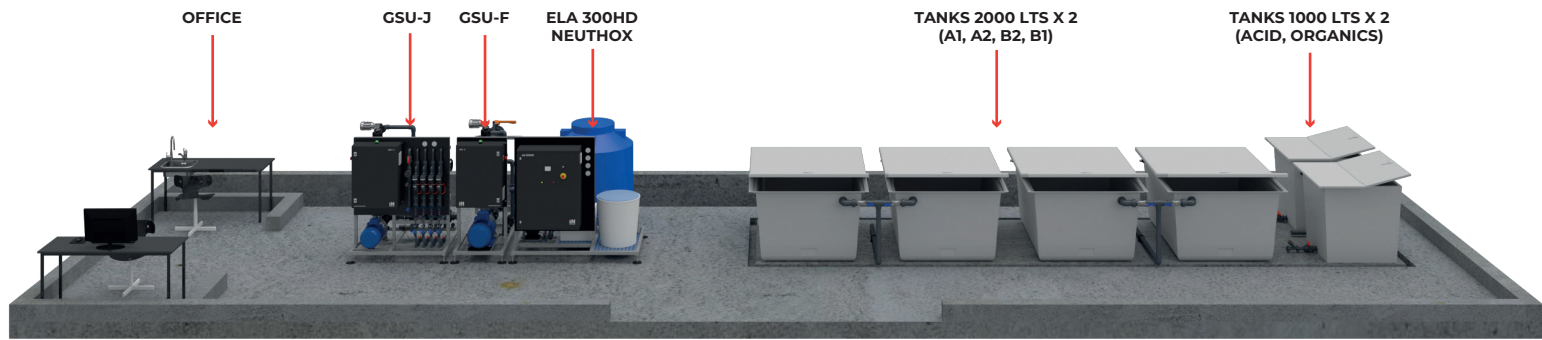
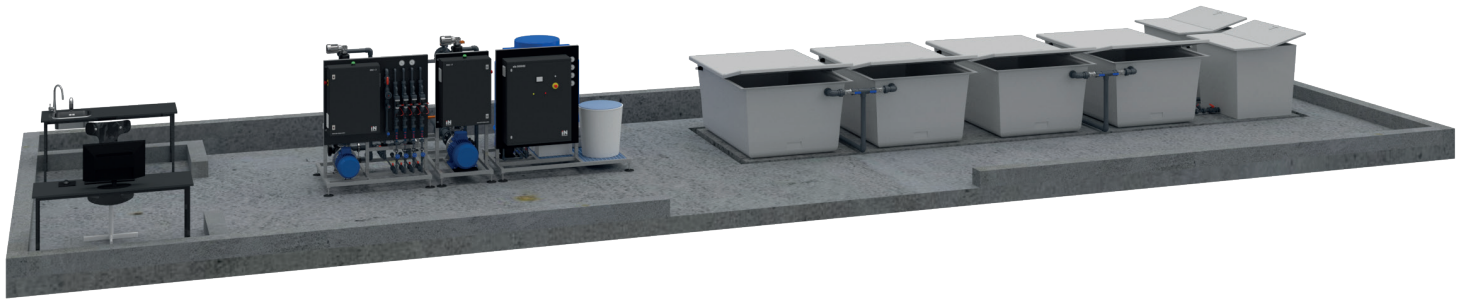


## COMPLETE HOUSE PUMP GSU-J / GSU-F / ELA 300HD-NEUTHOX



All rights reserved by iSinitzan. Reproduction and distribution of any part of this document is prohibited.



CODE:  
**GSU-J-J01**

### ELECTRICAL SPECIFICATION

ITEM	DESCRIPTION	CAPACITY
1	POWER SUPPLY*	220 VAC - 380 VAC - 440 VAC / 3P
2	POWER RANGE	4 kW to 15 kW

\*More options on demand

### SERVICE PUMP SPECIFICATION

ITEM	DESCRIPTION	CAPACITY
1	DESIGNED FLOW RANGE	60 m3/h
2	PRESSURE RANGE	5 bar

### DOSING CHANNELS

ITEM	DESCRIPTION	CAPACITY
1	NUMBER OF DOSING CHANNELS	4
2	VENTURI + FLOWMETER*	100 - 1000 lts/hr.

\*Optional use of digital or magnetic flowmeter

### AUTOMATIC FILTER

ITEM	DESCRIPTION	CAPACITY
1	MAXIMUM FLOW	100 m3/h
2	FILTRARION RANGE	100 / 200 µm
3	PIPING IN/OUT	Ø DN 100

### EQUIPMENT DESCRIPTION

ITEM	FEATURES
1	Independently controlled, 4-way automatic injection system.
2	Control and monitoring of pH sensor and EC sensor. *
3	Dosing actuators 24VDC NC Valves.**
4	Pumps controlled by variable frequency drives.
5	Real-time recording of consumption through magnetic measurements.***
6	Monitor App on Google Play, Apple Store and Web App.

\*Optional use 2 pH sensor and 2 EC sensor.

\*\*Different alternatives.

\*\*\*Applies in case of digital flowmeter.



Vortex Sensor



Magnetic Sensor  
(Available with Display)

- ENERGY OPTIMIZATION
- WATER MANAGEMENT
- CLIMATE INTEGRATION
- DATA MANAGEMENT
- SUSTAINABILITY
- IoT & SMART FARMING COMPATIBLE

Cabinet is available in this colors:



\*OEM/Custom preference

All rights reserved by iSinitzan. Reproduction and distribution of any part of this document is prohibited.

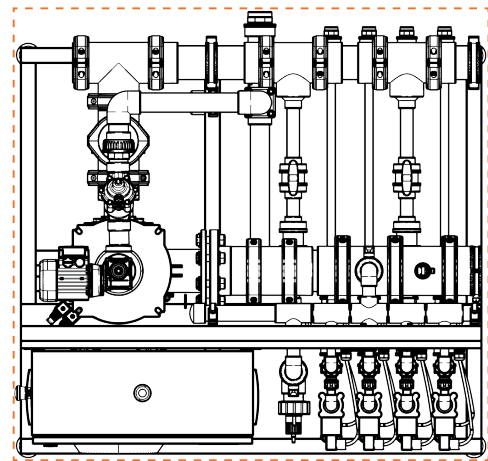
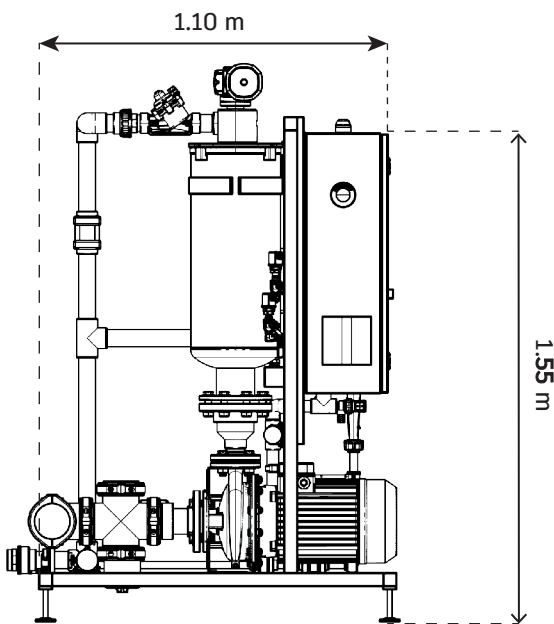
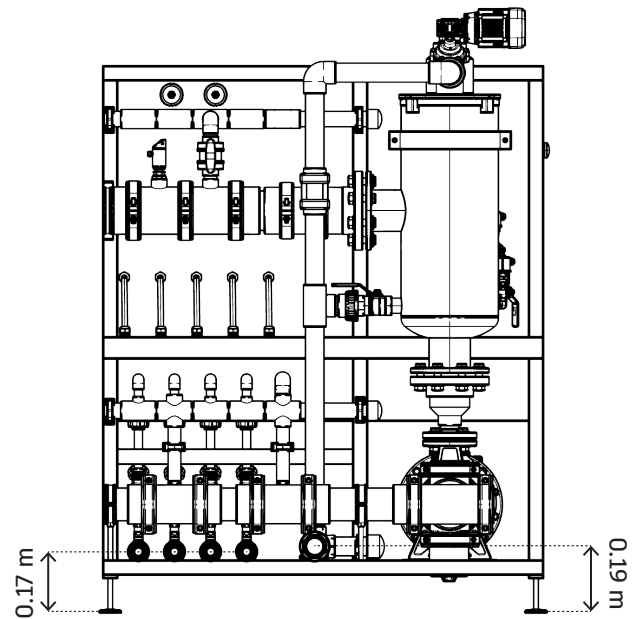
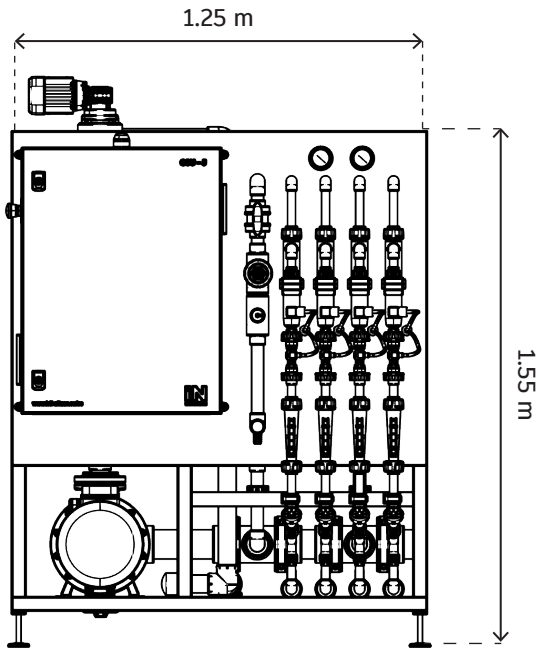
**iSii-Nitzan GmbH**  
Via Cremignone 4C, Sorengo,  
Switzerland, CH 6924  
+(41) 765851837  
info@isii-nitzan.swiss  
www.isii-nitzan.swiss

More Information:



Versión: J2024-1

**DIMENSIONS & FOOTPRINT**



Footprint: 1.38 m<sup>2</sup>

**Note:**  
 - All 3D file drawing (.step, .dwg) are available.  
 - The prices shown in the price list are valid from August 2023. They may be modified according to changes in materials and manufacturing accessories.

DIMENSIONS		
LENGTH	HEIGHT	WIDTH
1,25 m	1,44 m	1,10 m
FOOT PRINT		1,38 m <sup>2</sup>

All rights reserved by iSinitzan. Reproduction and distribution of any part of this document is prohibited.

**iSii-Nitzan GmbH**  
 Via Cremignone 4C, Sorengo,  
 Switzerland, CH 6924  
 +(41) 765851837  
 info@isii-nitzan.swiss  
 www.isii-nitzan.swiss

More Information:



Versión: J2024-1

CODE:  
**GSU-F-F01**

### ELECTRICAL SPECIFICATION

ITEM	DESCRIPTION	CAPACITY
1	POWER SUPPLY*	220 VAC - 380 VAC - 440 VAC / 3P
2	POWER RANGE	16 kW (220VAC - 440VAC)

\*More options on demand

### PUMP SPECIFICATION

ITEM	DESCRIPTION	CAPACITY
1	PUMP 01 - SERVICE	60 m <sup>3</sup> /h - 4.5 bar

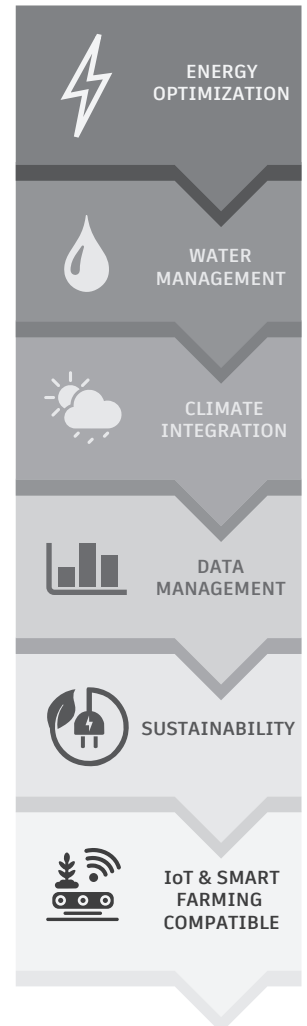
### AUTOMATIC FILTER

ITEM	DESCRIPTION	CAPACITY
1	MAXIMUM FLOW	100 m <sup>3</sup> /h
2	FILTRARION RANGE	100 / 200 µm
3	PIPING IN/OUT	Ø DN 100

### EQUIPMENT DESCRIPTION

ITEM	FEATURES
1	Control and monitoring of pH sensor and EC sensor.*
2	Pumps use soft started
3	App on Google Play, Apple Store and Web App.

\*Optional use 2 pH sensor and 2 EC sensor.



Cabinet is available in this colors:



\*OEM/Custom preference

All rights reserved by iSinitzan. Reproduction and distribution of any part of this document is prohibited.

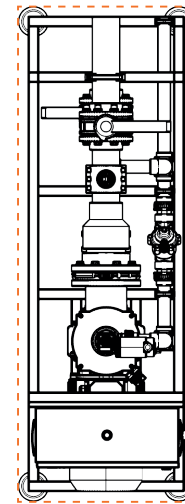
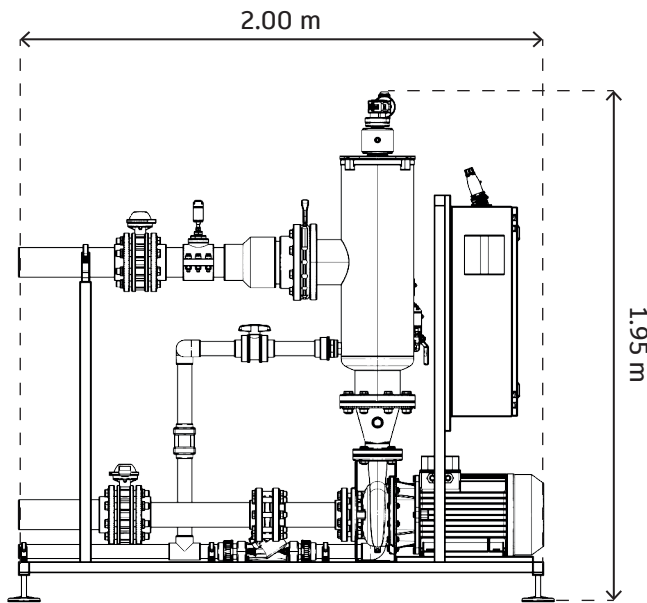
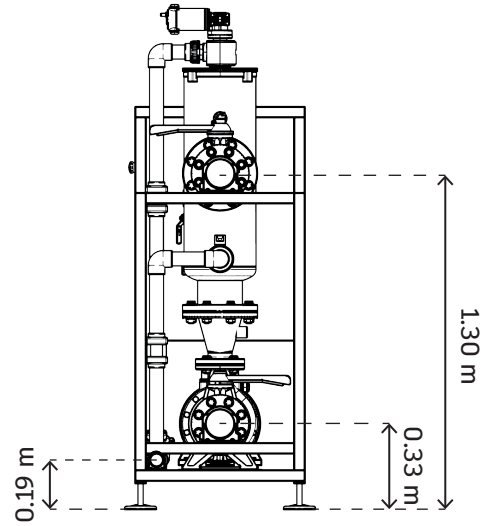
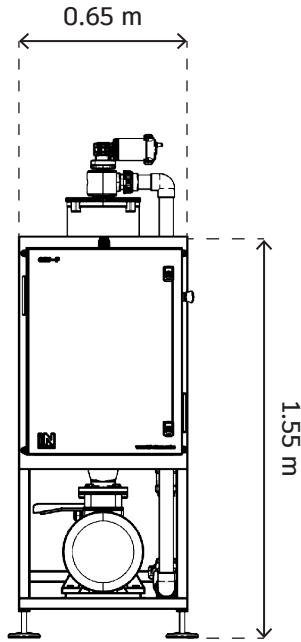
**iSii-Nitzan GmbH**  
Via Cremignone 4C, Sorengo,  
Switzerland, CH 6924  
+(41) 765851837  
info@isii-nitzan.swiss  
www.isii-nitzan.swiss

More Information:



Versión: J2024-1

**DIMENSIONS & FOOTPRINT**



Footprint: 1.30 m<sup>2</sup>

DIMENSIONS		
LENGTH	HEIGHT	WIDTH
0,65 m	1,95 m	2,00 m
FOOT PRINT		1,30 m <sup>2</sup>

**Note:**  
 - All 3D file drawing (.step, .dwg) are available.  
 - The prices shown in the price list are valid from August 2023. They may be modified according to changes in materials and manufacturing accessories.

All rights reserved by iSinitzan. Reproduction and distribution of any part of this document is prohibited.

**iSii-Nitzan GmbH**  
 Via Cremignone 4C, Sorengo,  
 Switzerland, CH 6924  
 +(41) 765851837  
 info@isii-nitzan.swiss  
 www.isii-nitzan.swiss

More Information:



Versión: J2024-1

CODE:  
**ELA300-01**

ELECTRICAL SPECIFICATION		
ITEM	DESCRIPTION	CAPACITY
1	POWER SUPPLY*	220 VAC - 380 VAC - 440 VAC / 3P
2	ENERGY	1.8 kW (220 VAC)

NEUTHOX SPECIFICATION		
ITEM	DESCRIPTION	CAPACITY
1	pH	7.5
2	ORP REDOX	>700mV
3	FREE AVAILABLE CHLORINE (FAC)	1500 ppm

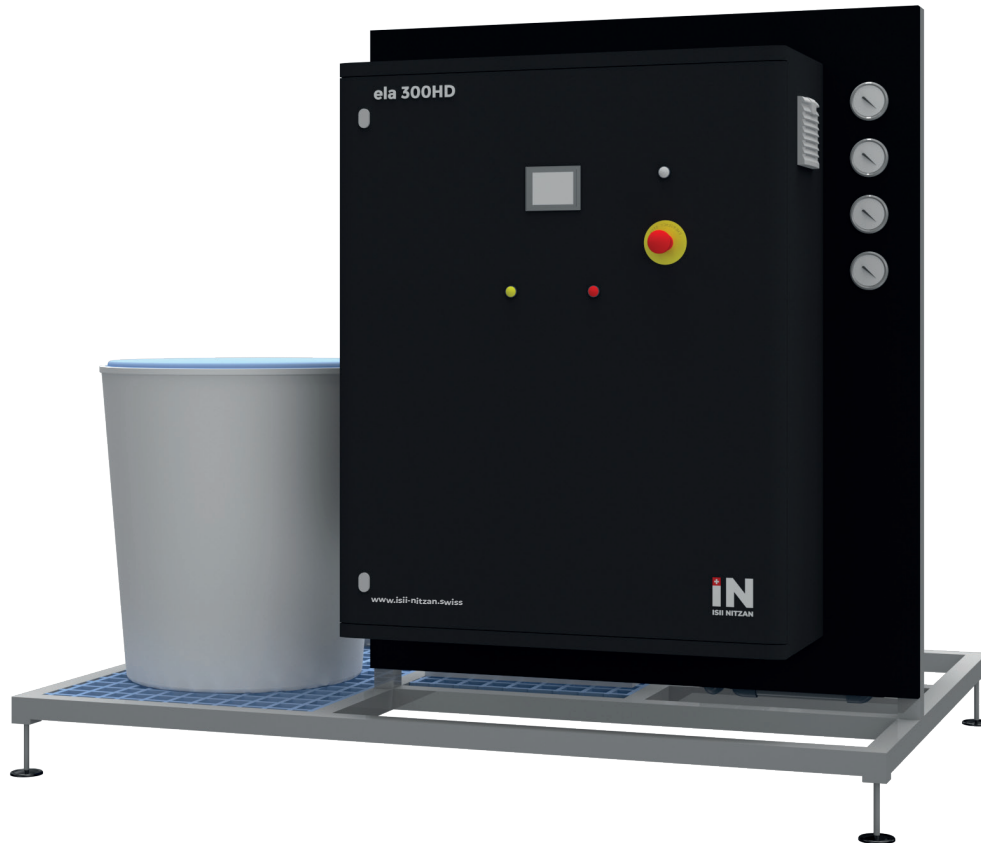
\*More options on demand

FLOW SPECIFICATION		
ITEM	DESCRIPTION	CAPACITY
1	PUMP 01 - SCALA	3 m <sup>3</sup> /h - 2.7 bar

EQUIPMENT DESCRIPTION	
ITEM	FEATURES
1	On-site production of a powerful organic disinfectant, totally safe, cost-effective and environmentally friendly.
2	Electrolysis process with 99.3% Potassium Chloride (KCl) as precursor.
3	Hypochlorous acid generation with 1500 ppm of free available chlorine (FAC).
4	Application in horticulture, keeps pipes clean and disinfects the water used in irrigation.

CAPACITY SPECIFICATION		
ITEM	DESCRIPTION	CAPACITY
1	GENERATOR CAPACITY	30 lts/hr
2	TREATMENT CAPACITY	720 lts/day

PRECUSOR TANKS		
ITEM	DESCRIPTION	CAPACITY
1	SODIUM CHLORIDE (NaCl)	30 lts/hr
2	POTASSIUM CHLORIDE (KCl)	30 lts/hr



All rights reserved by iSinitzan. Reproduction and distribution of any part of this document is prohibited.

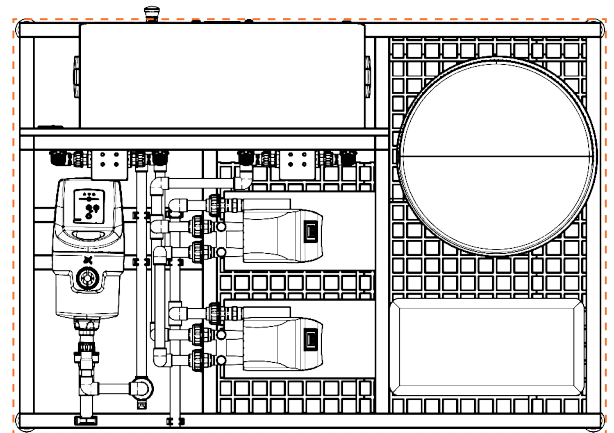
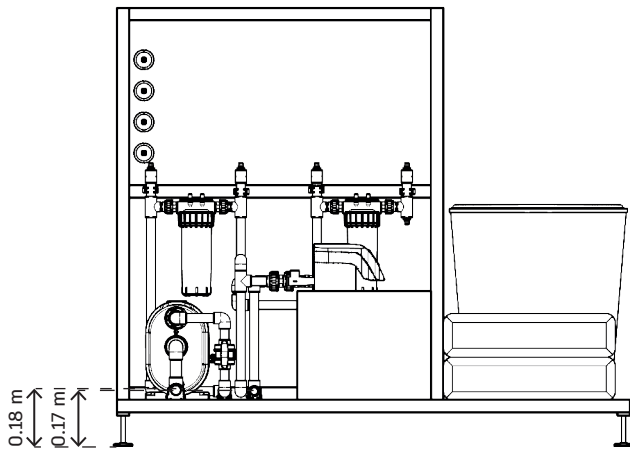
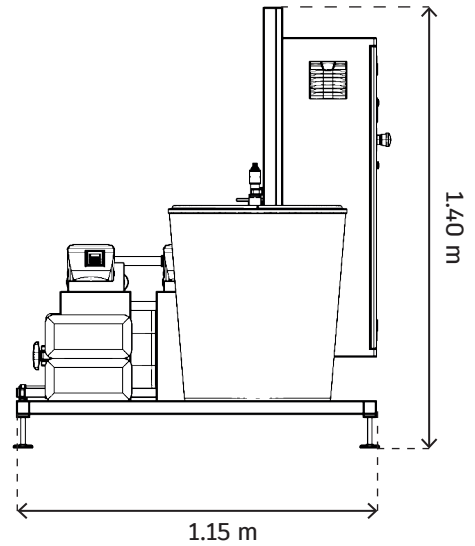
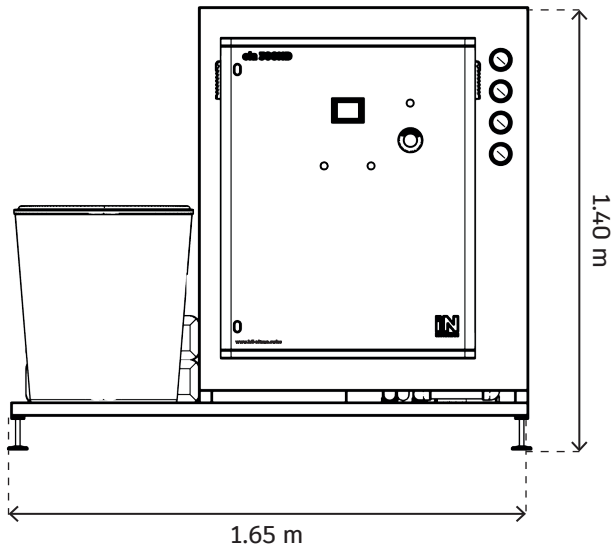
**iSii-Nitzan GmbH**  
Via Cremignone 4C, Sorengo,  
Switzerland, CH 6924  
+(41) 765851837  
info@isii-nitzan.swiss  
www.isii-nitzan.swiss

More Information:



Versión: J2024-1

**DIMENSIONS & FOOTPRINT**



Footprint: 1.90 m<sup>2</sup>

**Note:**  
 - All 3D file drawing (.step, .dwg) are available.  
 - The prices shown in the price list are valid from August 2023. They may be modified according to changes in materials and manufacturing accessories.

DIMENSIONS		
LENGTH	HEIGHT	WIDTH
1,65 m	1,40 m	1,15 m
FOOT PRINT		1,90 m <sup>2</sup>

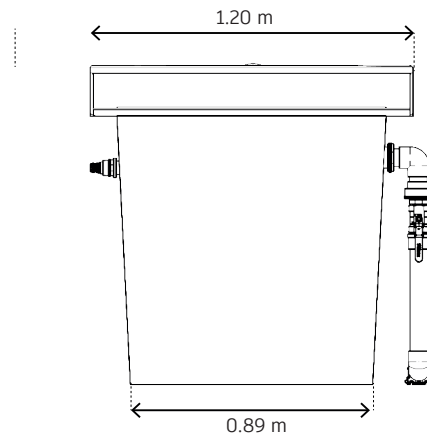
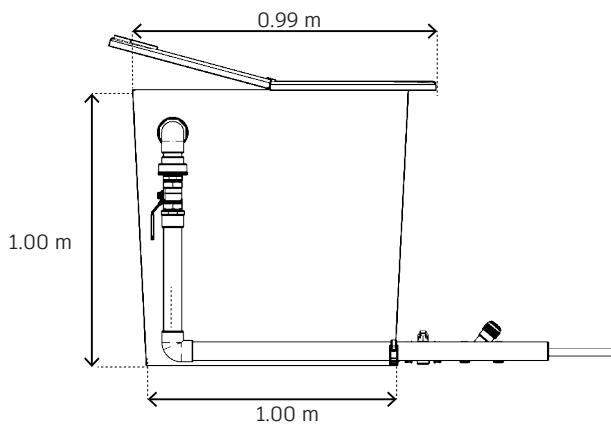
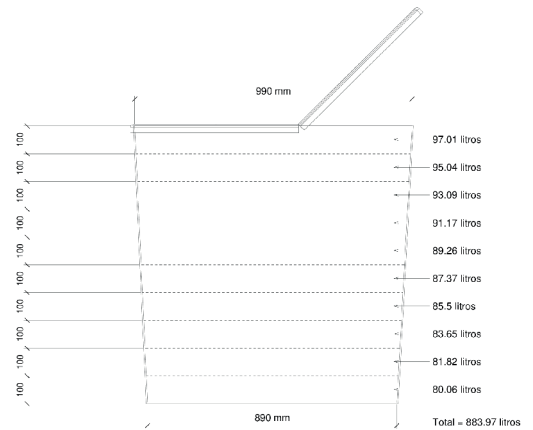




CODE:  
FT - 1000

TANK - 1000 LITERS

TANK - 1000 L				
ITEM	DESCRIPTION	FEATURES	CONTROL	CAPACITY
1	PRFV Tank. Reinforced polyester with Glass Fiber (3 Gel Coat Layers and 3 Glass Fiber Layers)	- Chemical Resistance. - Abrasion Resistance.	Level control system and alarm in each tank	1000 liters
2	Manual Valve 2"	2"	Manual Tanks Filling	N/A
3	Manual Valve 32mm	32mm	Manual Tanks Discharge	N/A



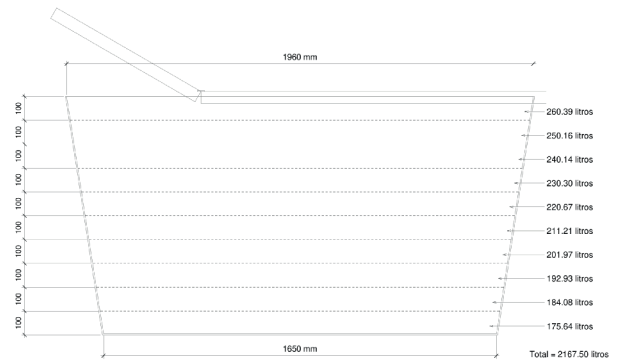
All rights reserved by iSiiNitzan. Reproduction and distribution of any part of this document is prohibited.



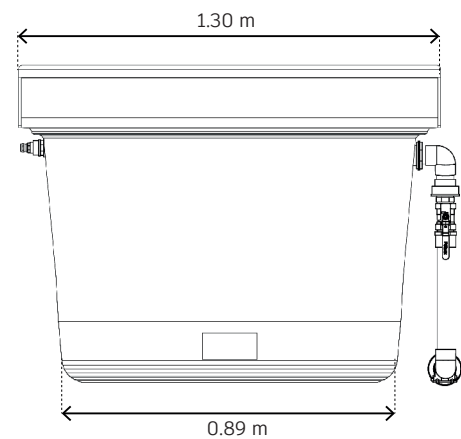
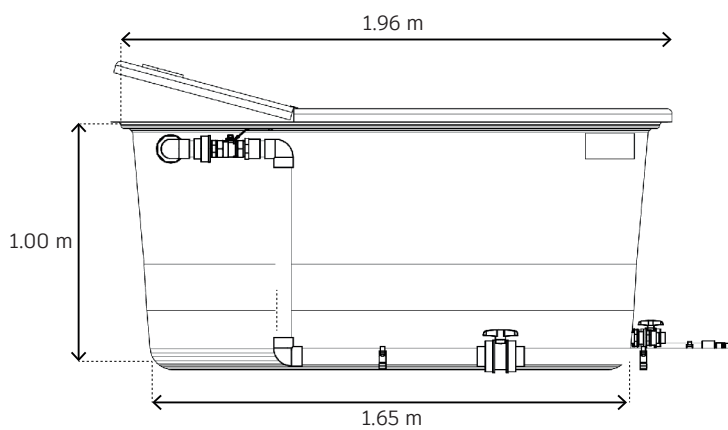
CODE:  
FT - 2000

TANK - 2000 LITERS

TANK - 2000 L				
ITEM	DESCRIPTION	FEATURES	CONTROL	CAPACITY
1	PRFV Tank. Reinforced polyester with Glass Fiber (3 Gel Coat Layers and 3 Glass Fiber Layers)	- Chemical Resistance. - Abrasion Resistance.	Level control system and alarm in each tank	2000 liters
2	Manual Valve 2"	2 "	Manual Tanks Filling	N/A
3	Manual Valve 32mm	32mm	Manual Tanks Discharge	N/A



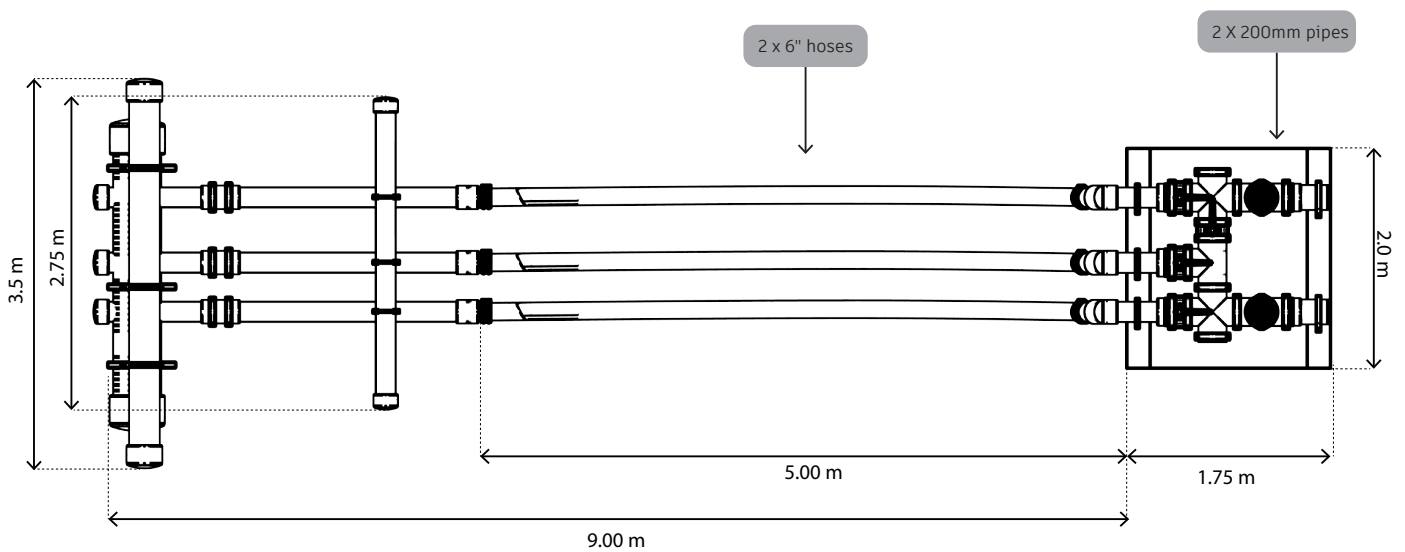
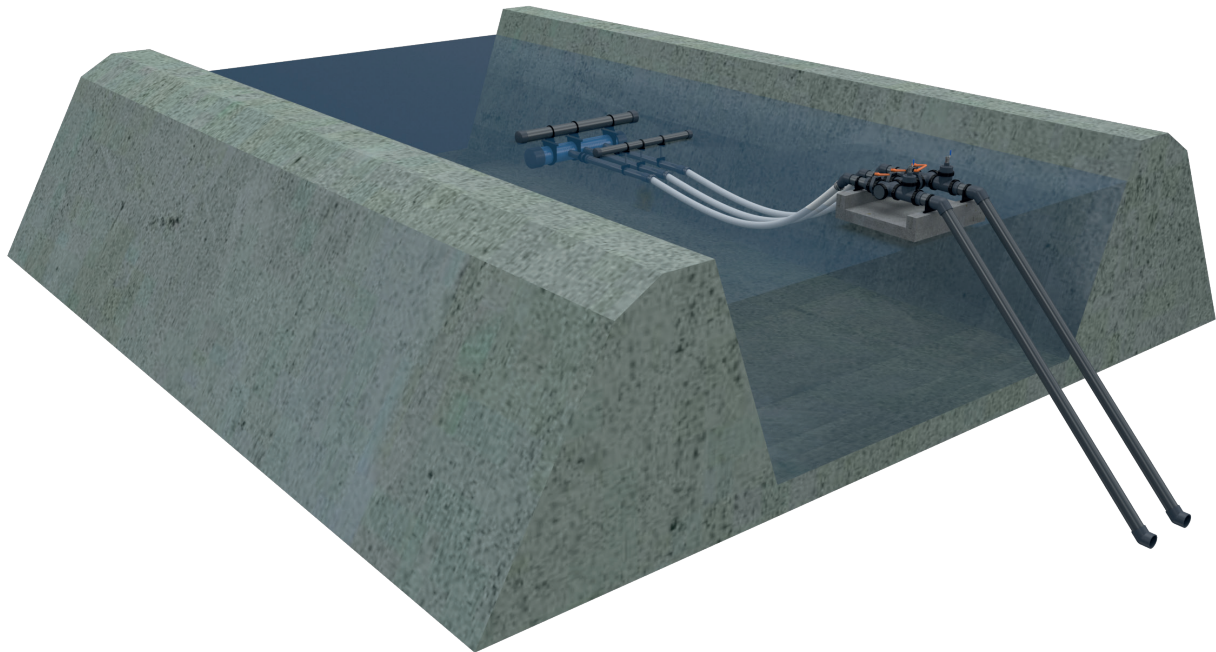
TANK VOLUMETRY 2000 LTS.



All rights reserved by iSiiNitzan. Reproduction and distribution of any part of this document is prohibited.

CODE:  
SC-3H-01

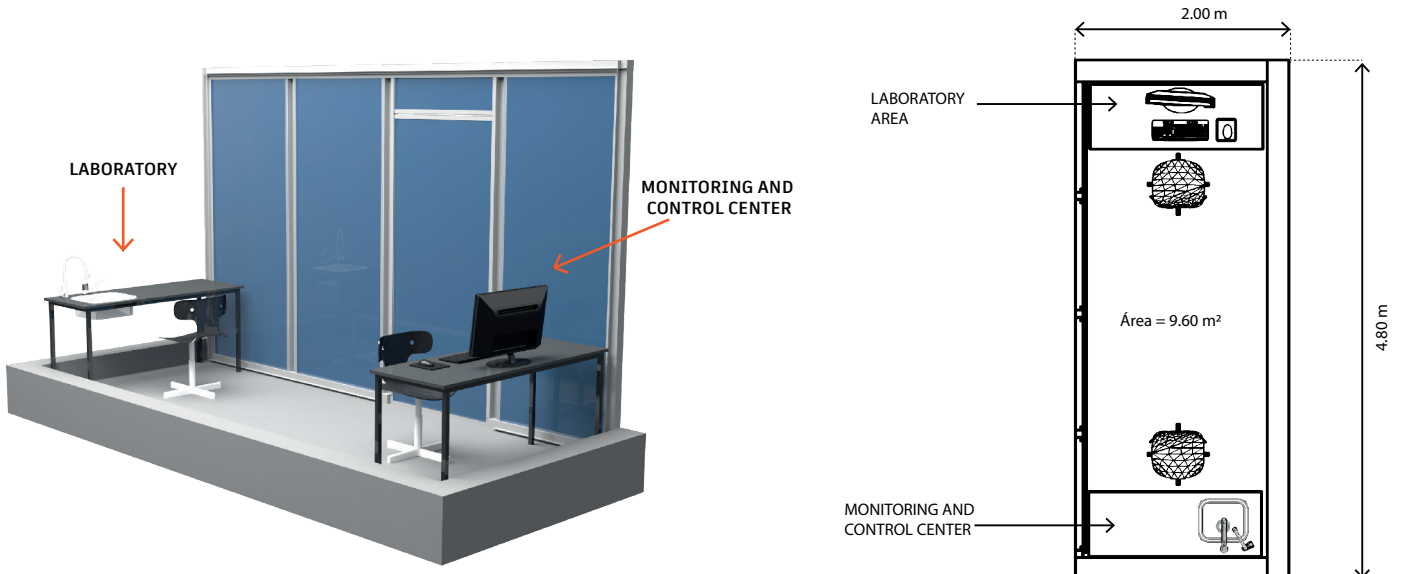
ITEMP	DESCRIPTION	SUCTION SYSTEM		
		FEATURES	CONTROL	CAPACITY
1	Suction Main Reservoir	1 x 6" drip hoses 1 x 6" aspersion hose	Manual	2 x 6" hoses 2 outlet pipes 200mm



All rights reserved by iSiinitzan. Reproduction and distribution of any part of this document is prohibited.

CODE:  
OFC-01

CONTROL CENTER (OFFICE)			
ITEM	DESCRIPTION	LOCATION	CONTROL
1	Work Station: Melamine board and Metallic structure with electrostatic	1 work tables for control center	1.6m length, 0.6m width and 0.75m adjustable height +/- 2cm
2	Work table with sink: Melamine board and Metallic structure with electrostatic painting. Stainless steel sink, drinking water faucer and chemical resistant	1 work table with sink for laboratory	1.6m length, 0.6m width and 0.75m adjustable height +/- 2cm
3	2 ergonomical work chairs with adjustable height	1 Control center work table, 1 laboratory work table	0.73m adjustable height, 0.4m width
4	1 Dell 24" Monitor for Control System Visualization	Control center work table	1 x 24 "
5	1 processor i3 4160-8G-W10Io LTSC	Behind control center work table	N/A
6	1 Computer Keyboard	Control center work table	N/A
7	1 Computer Mouse	Control center work table	N/A
8	1 Big size mousepad	Control center work table	N/A



All rights reserved by iSiinitzan. Reproduction and distribution of any part of this document is prohibited.