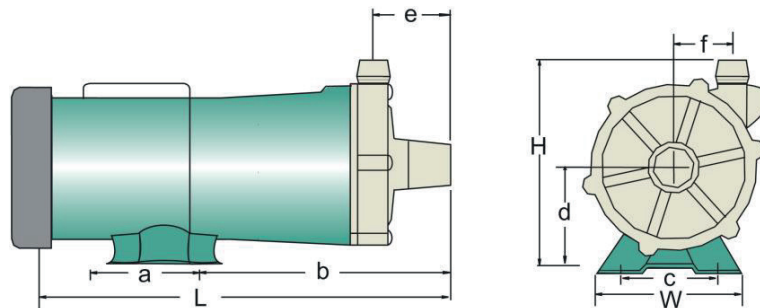


MAGNETICAL HORIZONTAL



ITEM TECHNICAL CHARACTERISTICS

- 1 TWIN BEARING SYSTEM HANDLES THRUST LOADS, EXTENDS SERVICE LIFE
- 2 HOLLOW ROTATING / INTERNAL COOLING CIRCUIT REDUCES BEARING TEMPERATURE
- 3 COMPACT / QUIET ENERGY EFFICIENT DESIGN
- 4 FEW MOVING PARTS FOR EASY MAINTENANCE
- 5 OTHER SIZES, VOLTAGES & MATERIALS AVAILABLE

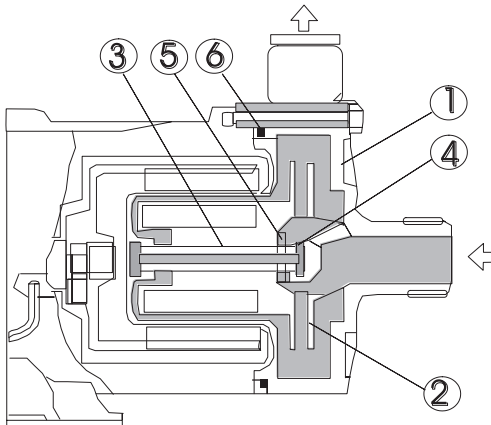


ART.CODE	W	H	L	a	b	c	d	e	f
MD-55R(T)	472	610	1077	157	705	394	256	242	157
MD-70R(T)	563	611	1018	276	571	425	256	207	170
MD-70RZ(T)	563	650	972	276	524	425	256	165	187
MD-100R(T)	614	689	1267	276	638	433	295	255	171

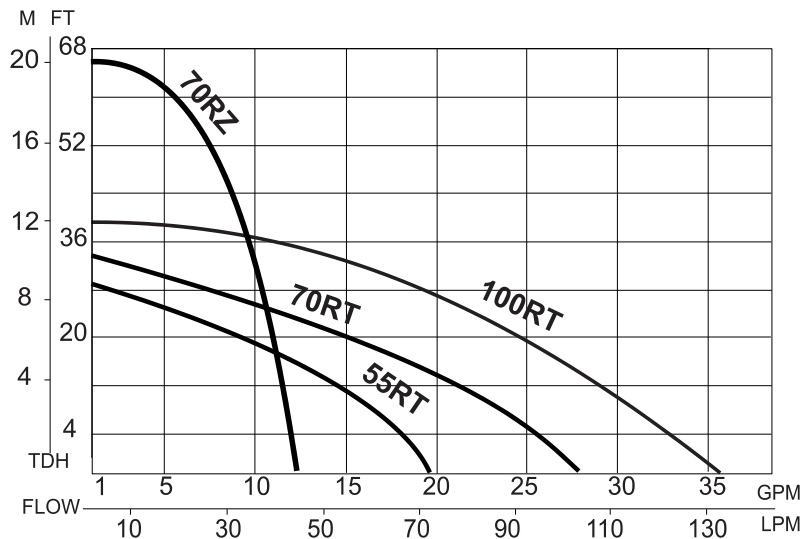


PERFORMANCE RANGE

MODEL	CONNECTIONS		MOTOR			MAX FLOW GPM	MAX HEAD FT	MAX SYS PRESSURE PSI	S.G.	WEIGHT LBS
	HOSE	NPTM	OUTPUT (HP)	SPEED (RPM)	AMPS 115V					
MD-55R(T)	1	1	1/8	3400	1.6	18.4	26.9	17.06	1.2	10.1
MD-70R(T)	1	1	1/4	3400	2.8	25.6	31.8	21.33	1.0	13.2
MD-70RZ(T)	3/4	3/4	2/7	3400	3.8	11.4	66.6	42.70	1.0	13.2
MD-100R(T)	1	1	1/3	3400	3.4	35.6	39.0	25.60	1.2	18.7



ITEM	PART	MATERIAL
1	CASING	GRFPP
2	IMPELLER	GFRPP OR CRFPP
3	SPINDLE	CERAMIC
4	BEARING	PRFE
5	THRUST RING	CERAMIC OR PE
6	O-RING	FKM OR EPDM



All rights reserved by iSiiNitzan. Reproduction and distribution of any part of this document is prohibited.

iSii-Nitzan GmbH
 Via Cremignone 4C, Sorengo,
 Switzerland, CH 6924
 +(41) 765851837
 info@isii-nitzan.swiss
 www.isii-nitzan.swiss

More Information:



Versión: J2024-1