

ELECTRICAL SPECIFICATION

| ITEM | DESCRIPTION | CAPACITY |
|------|---------------|----------------------------------|
| 1 | POWER SUPPLY* | 220 VAC - 380 VAC - 440 VAC / 3P |
| 2 | ENERGY | 7kW (220 VAC) |

*More options on demand

FLOW SPECIFICATION

| ITEM | DESCRIPTION | CAPACITY |
|------|-----------------|-------------------------------|
| 1 | PUMP 01 - SCALA | 3 m ³ /h - 2.7 bar |

CAPACITY SPECIFICATION

| ITEM | DESCRIPTION | CAPACITY |
|------|--------------------|--------------|
| 1 | GENERATOR CAPACITY | 200 lts/hr |
| 2 | TREATMENT CAPACITY | 4800 lts/day |

PRECUSOR TANKS

| ITEM | DESCRIPTION | CAPACITY |
|------|--------------------------|------------|
| 1 | SODIUM CHLORIDE (NaCl) | 100 lts/hr |
| 2 | POTASSIUM CHLORIDE (KCl) | 100 lts/hr |

NEUTHOX SPECIFICATION

| ITEM | DESCRIPTION | CAPACITY |
|------|-------------------------------|----------|
| 1 | pH | 7.5 |
| 2 | ORP REDOX | >700mV |
| 3 | FREE AVAILABLE CHLORINE (FAC) | 1500 ppm |

EQUIPMENT DESCRIPTION

| ITEM | FEATURES |
|------|---|
| 1 | On-site production of a powerful organic disinfectant, totally safe, cost-effective and environmentally friendly. |
| 2 | Electrolysis process with 99.3% Potassium Chloride (KCl) as precursor. |
| 3 | Hypochlorous acid generation with 1500 ppm of free available chlorine (FAC). |
| 4 | Application in horticulture, keeps pipes clean and disinfects the water used in irrigation. |

ENERGY OPTIMIZATION

ON-SITE DISINFECTION

KCL PRECUSER

NEUTHOX*
ARTICLE 95 COMPLIANCE
European Chemical Agency

INTERNATIONAL CERTIFICATION

SUSTAINABILITY

IoT & SMART FARMING COMPATIBLE



All rights reserved by iSiNitzan. Reproduction and distribution of any part of this document is prohibited.

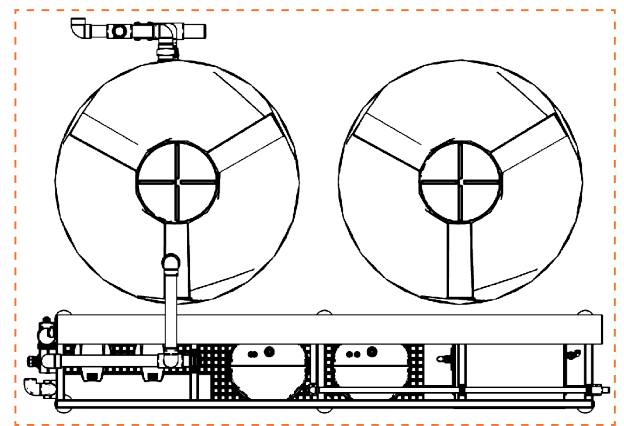
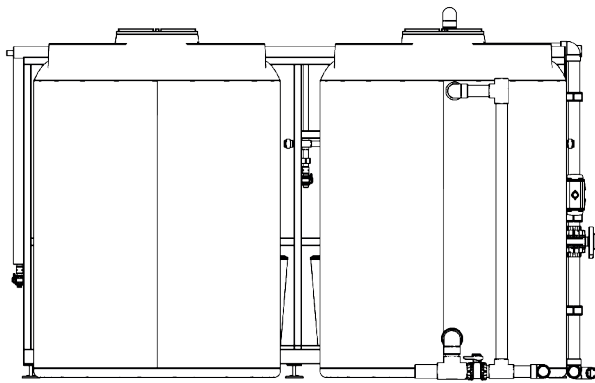
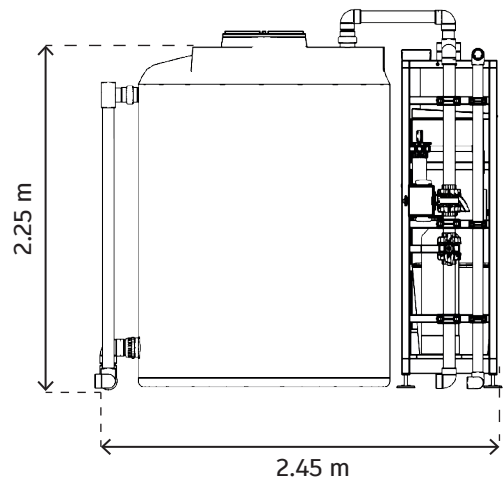
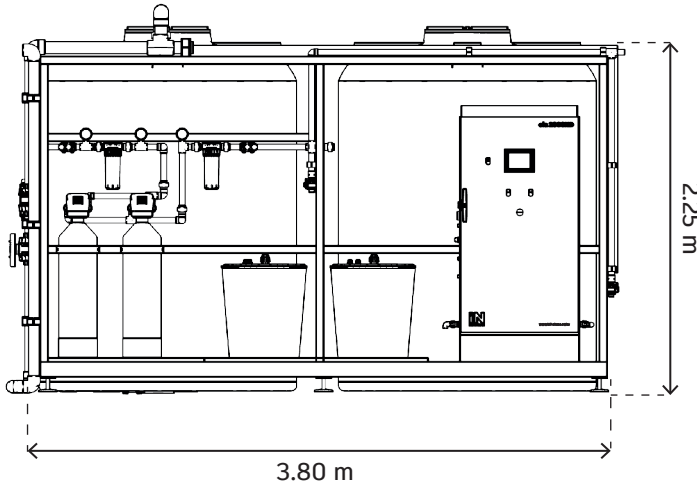
iSi-Nitzan GmbH
Via Cremignone 4C, Sorengo,
Switzerland, CH 6924
+(41) 765851837
info@isii-nitzan.swiss
www.isii-nitzan.swiss

More Information:



Versión: J2024-1

DIMENSIONS & FOOTPRINT



Footprint: 9.31 m²

Note:
 - All 3D file drawing (.step, .dwg) are available.
 - The prices shown in the price list are valid from August 2023. They may be modified according to changes in materials and manufacturing accessories.

| DIMENSIONS | | |
|------------|--------|---------------------|
| LENGTH | HEIGHT | WIDTH |
| 3,80 m | 2,25 m | 2,45 m |
| FOOT PRINT | | 9,31 m ² |

